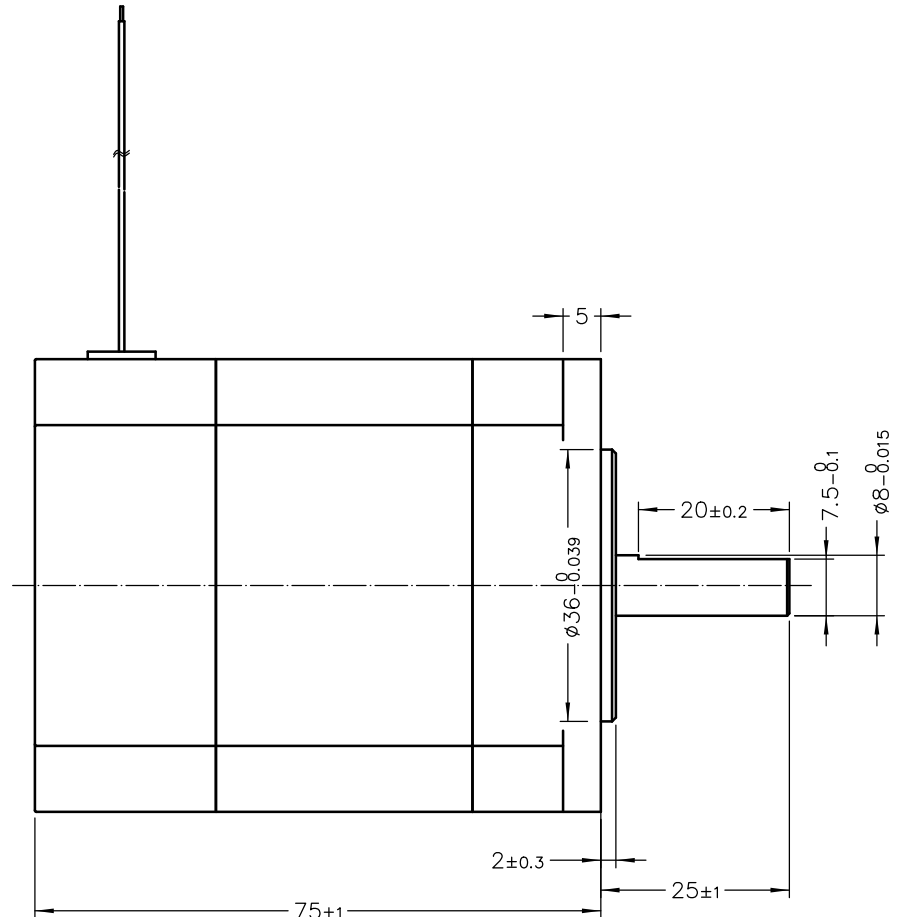
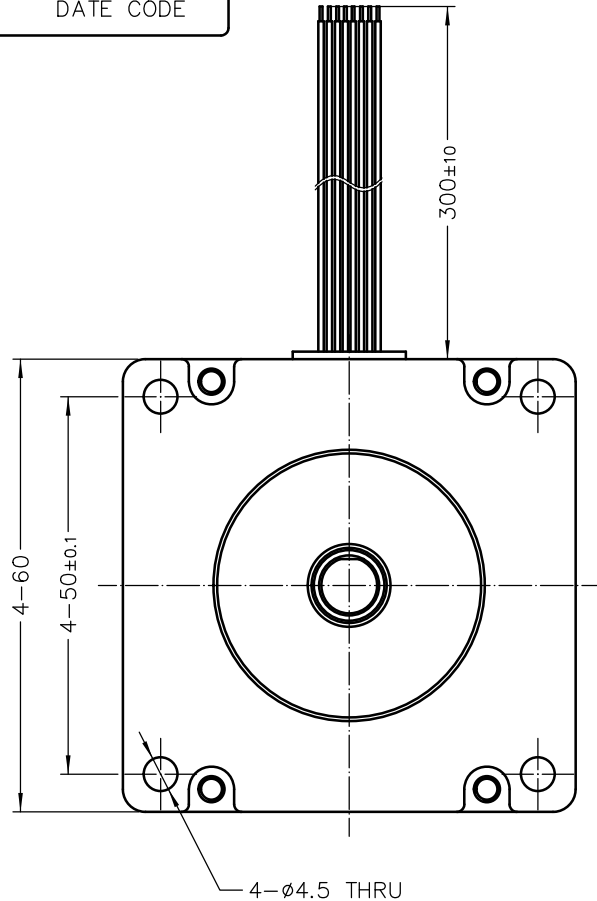


60ZWS75X-1
DINGS' MOTION DATE CODE

REV	DATE	DESCRIPTION	BY
00	20211102	INITIAL RELEASE	XU



REDUCTION RATIO	-	1	DIELECTRICAL STRENGTH	500V 1KHz 1s 1mA
POLE PAIRS	-	5	INSULATION RESISTANCE	100MΩm 20C
RATED CURRENT	A	8.2	MOUNTING TYPE	IM B5 V1 V3
RATED SPEED	RPM	3000	DUTY TYPE	S1
RATED TORQUE	N-m	0.46	COOLING TYPE	IC410
RATED POWER	W	144.5	PROTECTION GRADE	IP40
RATED VOLTAGE	VDC	24	INSULATION CLASS	B 130C

CUSTOMER						
U	UL 3265 AWG 18	PHASE U	YEL	UL 3265 AWG 26	+5 VDC	RED
V		PHASE V	GRN		HALL U	YEL
W		PHASE W	BLU		HALL V	GRN
					HALL W	BLU
					GND	BLK

THIS DRAWING IS ONLY CONDITIONALLY ISSUED, AND FOR THE SOLE PURPOSE OF INFORMING LICENSEES AND ASSOCIATE CONTRACTORS OF DINGS' MOTION, AND VENDORS THEREOF AND CUSTOMERS THEREOF, RECEIPT OR POSSESSION THEREOF DOES NOT CONFER TO TRANSFER ANY RIGHT IN THE SUBJECT MATTER OF THE DRAWING, THE DESIGN, CONSTRUCTION, TECHNICAL INFORMATION AND ALL OTHER SUBJECT MATTER IN THIS DRAWING ARE AND REMAIN, EXCEPT AS MAY BE OTHERWISE INDICATED BY WRITTEN NOTICE HEREON, THE EXCLUSIVE PROPERTY OF SAID CORPORATION. THIS DRAWING MAY BE REPRODUCED ONLY BY LICENSEES AND ASSOCIATE CONTRACTORS OF SAID CORPORATION AND ONLY FOR LICENSED MANUFACTURE, AND BY VENDORS MANUFACTURING FOR SAID CORPORATION AND ONLY FOR LICENSEES AND ASSOCIATE CONTRACTORS.

UNLESS OTHERWISE SPECIFIED
ALL DIMENSIONS ARE IN MILLIMETERS
AND TOLERANCES ARE AS BELOW

LINEAR		ANGULAR	
0 - 3	±0.2	0 - 10	±1.5°
3 - 6	±0.5	10 - 50	±1°
6 - 30	±1	50 - 120	±0.5°
30 - 120	±2	120 - 400	±0.25°

DRWN: XU DATE: 20211102
APRV: DATE: 60ZWS75X-1

DINGS' 鼎智

SIZE	A4	
SCALE	1:1	