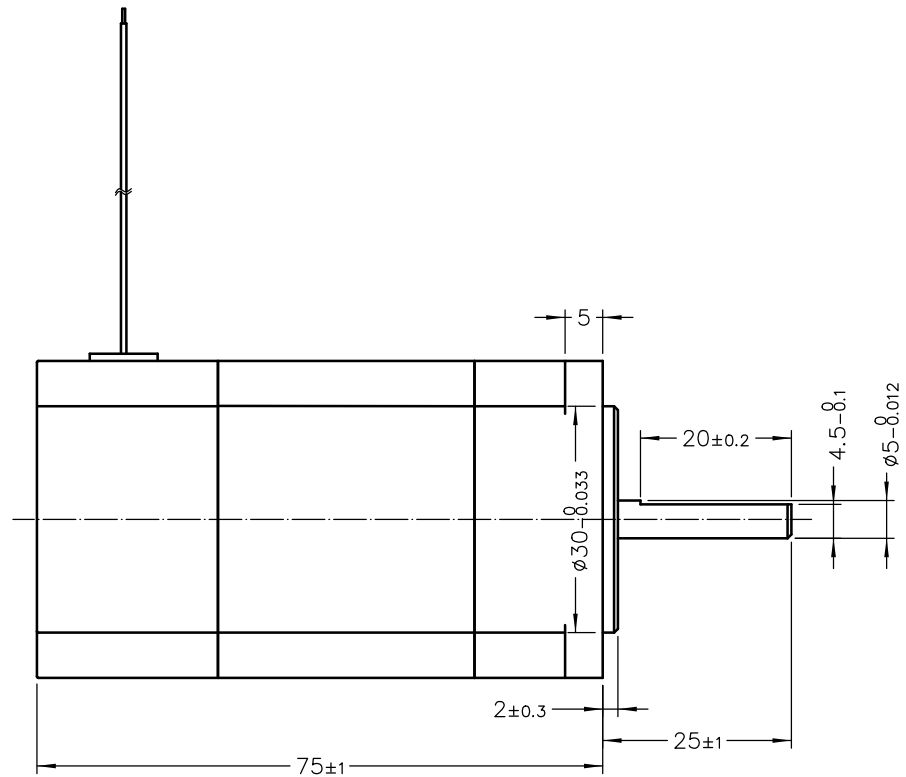
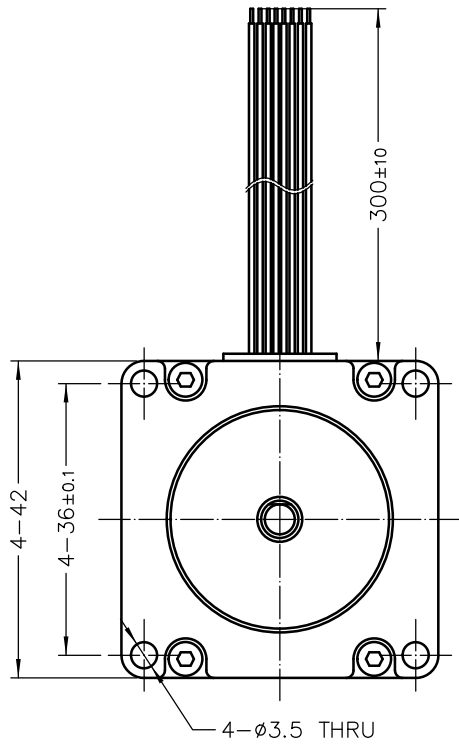


42ZWS75X-1  
DINGS' MOTION DATE CODE

REV	DATE	DESCRIPTION	BY
00	20211102	INITIAL RELEASE	XU



REDUCTION RATIO	-	1	DIELECTRICAL STRENGTH	500V 1KHz 1s 1mA
POLE PAIRS	-	5	INSULATION RESISTANCE	100MOhm 20C
RATED CURRENT	A	3.6	MOUNTING TYPE	IM B5 V1 V3
RATED SPEED	RPM	3000	DUTY TYPE	S1
RATED TORQUE	N-m	0.185	COOLING TYPE	IC410
RATED POWER	W	58.1	PROTECTION GRADE	IP40
RATED VOLTAGE	VDC	24	INSULATION CLASS	B 130C

CUSTOMER		<p>THIS DRAWING IS ONLY CONDITIONALLY ISSUED, AND FOR THE SOLE PURPOSE OF INFORMING LICENSEES AND ASSOCIATE CONTRACTORS OF DINGS' MOTION, AND VENDORS THERETO AND CUSTOMERS THEREOF, RECEIPT OR POSSESSION THEREOF DOES NOT CONFER TO TRANSFER ANY RIGHT IN THE SUBJECT MATTER OF THE DRAWING, THE DESIGN, CONSTRUCTION, TECHNICAL INFORMATION AND ALL OTHER SUBJECT MATTER IN THIS DRAWING ARE AND REMAIN, EXCEPT AS MAY BE OTHERWISE INDICATED BY WRITTEN NOTICE HEREON, THE EXCLUSIVE PROPERTY OF SAID CORPORATION. THIS DRAWING MAY BE REPRODUCED ONLY BY LICENSEES AND ASSOCIATE CONTRACTORS OF SAID CORPORATION AND ONLY FOR LICENSED MANUFACTURE, AND BY VENDORS MANUFACTURING FOR SAID CORPORATION AND ONLY FOR LICENSEES AND ASSOCIATE CONTRACTORS.</p>																									
<p>U </p> <p>V </p> <p>W </p>	<p>UL 3265</p> <p>AWG 22</p>	PHASE U	YEL	<p>UL 3265</p> <p>AWG 26</p>	+5 VDC	RED	<p>UNLESS OTHERWISE SPECIFIED ALL DIMENSIONS ARE IN MILLIMETERS AND TOLERANCES ARE AS BELOW</p> <table border="1"> <tr> <th colspan="2">LINEAR</th> <th colspan="2">ANGULAR</th> </tr> <tr> <td>0 - 3</td> <td>±0.2</td> <td>0 - 10</td> <td>±1.5°</td> </tr> <tr> <td>3 - 6</td> <td>±0.5</td> <td>10 - 50</td> <td>±1°</td> </tr> <tr> <td>6 - 30</td> <td>±1</td> <td>50 - 120</td> <td>±0.5°</td> </tr> <tr> <td>30 - 120</td> <td>±2</td> <td>120 - 400</td> <td>±0.25°</td> </tr> </table>	LINEAR		ANGULAR		0 - 3	±0.2	0 - 10	±1.5°	3 - 6	±0.5	10 - 50	±1°	6 - 30	±1	50 - 120	±0.5°	30 - 120	±2	120 - 400	±0.25°
		LINEAR			ANGULAR																						
		0 - 3	±0.2		0 - 10	±1.5°																					
		3 - 6	±0.5		10 - 50	±1°																					
6 - 30	±1	50 - 120	±0.5°																								
30 - 120	±2	120 - 400	±0.25°																								
PHASE V	GRN	HALL U	YEL	DRWN	XU	DATE	20211102	<p>DINGS' 鼎智</p>																			
PHASE W	BLU	HALL V	GRN	APRV		DATE																					
						HALL W	BLU	42ZWS75X-1		SIZE	A4																
						GND	BLK			SCALE	1:1																