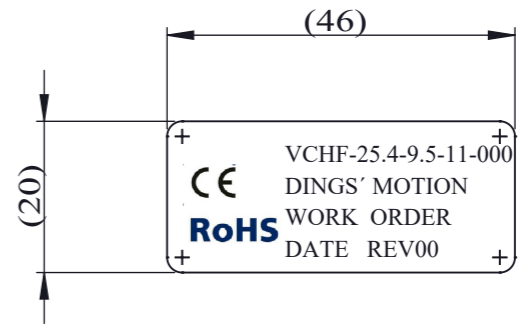
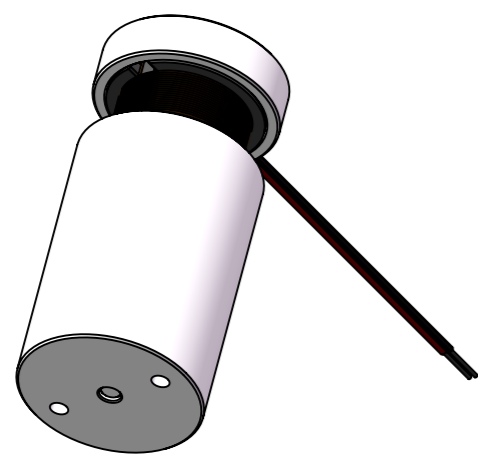
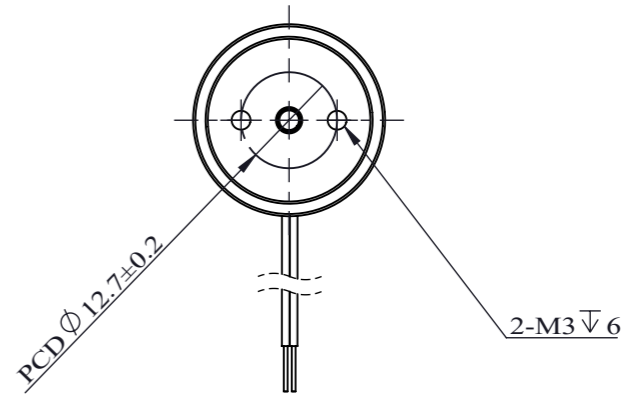
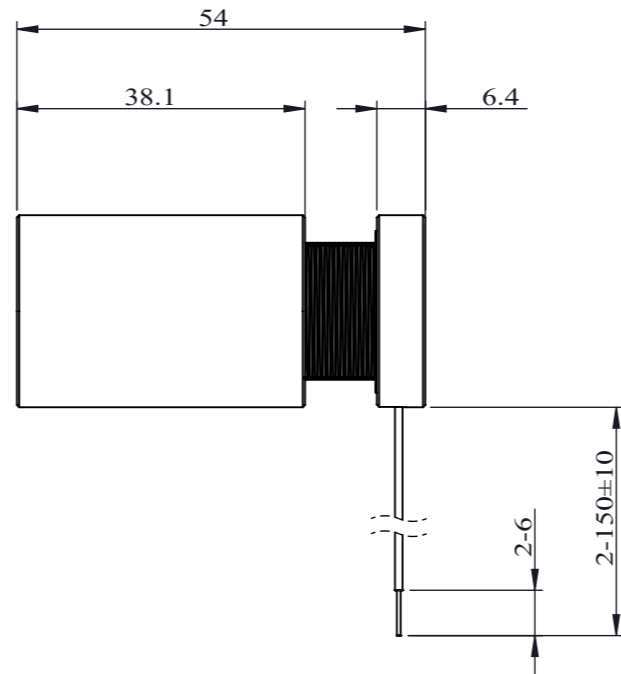
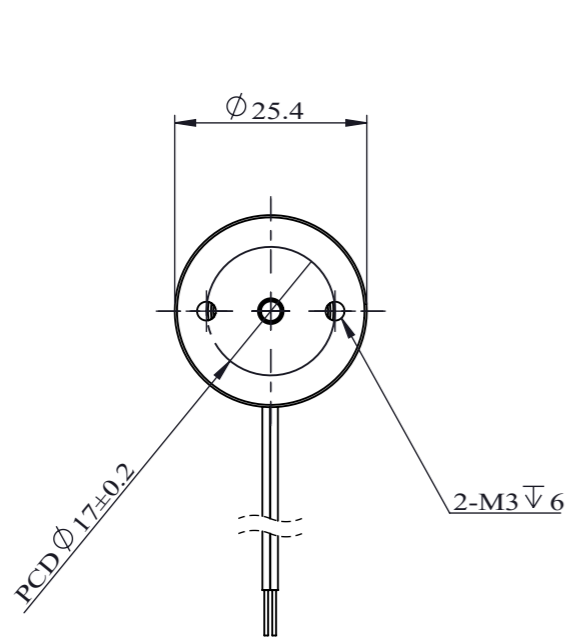


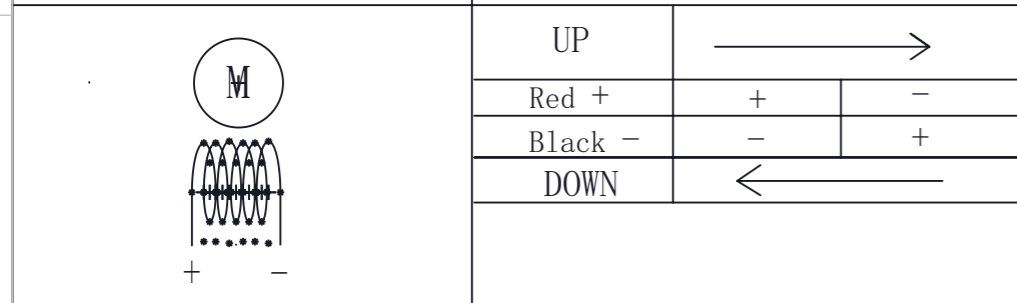
REVISION			
REV.	DATE	DESCRIPTION	DRAWN BY



NOTICE TO PERSONS RECEIVING THIS DRAWING
 THIS DRAWING IS ONLY CONDITIONALLY ISSUED, AND FOR THE SOLE PURPOSE OF INFORMING LICENSEES AND ASSOCIATE CONTRACTORS OF DINGS' MOTION, AND VENDORS THERETO AND CUSTOMERS THEREOF, RECEIPT OR POSSESSION THEREOF DOES NOT CONFER TO TRANSFER ANY RIGHT IN THE SUBJECT MATTER OF THE DRAWING. THE DESIGN, CONSTRUCTION, TECHNICAL INFORMATION AND ALL OTHER SUBJECT MATTER SHOWN IN THIS DRAWING ARE AND REMAIN, EXCEPT AS MAY BE OTHERWISE INDICATED BY WRITTEN NOTICE HEREON, THE EXCLUSIVE PROPERTY OF SAID CORPORATION. THIS DRAWING MAY BE REPRODUCED ONLY BY LICENSEES AND ASSOCIATE CONTRACTORS OF SAID CORPORATION AND ONLY FOR LICENSED MANUFACTURE, AND BY VENDORS MANUFACTURING FOR SAID CORPORATION AND ONLY FOR LICENSEES AND ASSOCIATE CONTRACTORS.

CUSTOMER ~~~~~

WIRING CHART **EXCITING SEQUENCE**



UNLESS OTHERWISE SPECIFIED ALL DIMENSIONS ARE IN MILLIMETERS AND TOLERANCES ARE AS BELOW PER ISO2768-cK.

LINEAR		ANGLUR	
0~3	±0.2	0~10	±1.5°
3~6	±0.5	10~50	±1°
6~30	±0.8	50~120	±30'
30~120	±1.5	120~400	±15'

DRAWN	QHF	DATE	20250228
APPRVD		DATE	

DINGS'

SIZE	A3	SHEET	1/2
SCALE	Free	REV	00

technical specification:

1:Force constant:9±1N/A

Force constant will be measured at the point of peak force.

2:Intermittent force @10%duty cycle

3:Continuous force:11.0N

4:Stroke:9.5±0.5mm

5:Impedance:7.87ohm±10% @20°C

6:Inductance:1.7mH±20%

7:Back EMF constant: 9.0V/M/S

8:ROHS compliant

In accordance with the RoHS (Reduction of Hazardous Substances) directive 2002/95/EC, and to the amendment 2011/65/E.

9:Working temperature 5~40°C

Coil<120°C, Magnets<100°C.

10:Storage Temperature -20~60°C

11:Humidity Ranges - Working and storage10~95%

Noncondensable state.

12:Atmospheric pressure range

Working pressure 62~106Kpa.

Storage pressure 50~106Kpa.

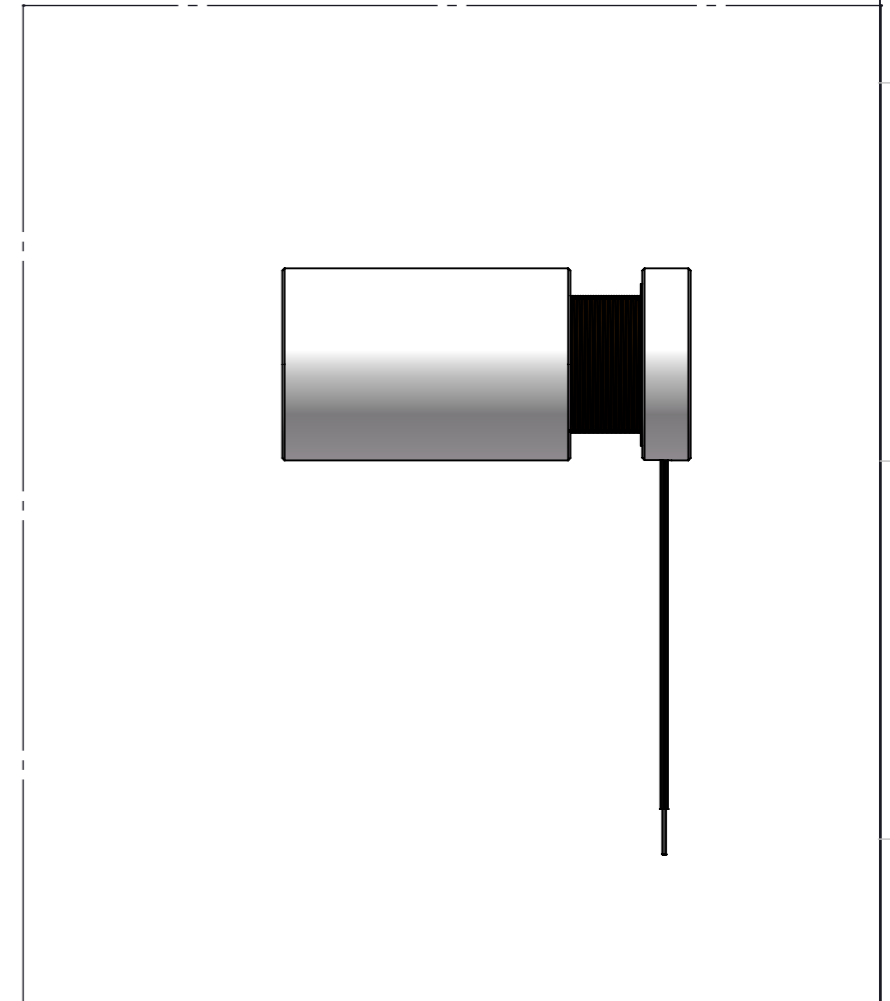
13:Insulation Resistance100MΩ 【500VDC】

14:Insulation calss:B

15:Coil assy mass: (33g)

16:Body mass: (102g)

17:Max contionous porer:10W



CUSTOMER



NOTICE TO PERSONS RECEIVING THIS DRAWING
 THIS DRAWING IS ONLY CONDITIONALLY ISSUED, AND FOR THE SOLE PURPOSE OF INFORMING LICENSEES AND ASSOCIATE CONTRACTORS OF DINGS' MOTION, AND VENDORS THERETO AND CUSTOMERS THEREOF, RECEIPT OR POCESSION THEREOF DOES NOT CONFER TO TRANSFER ANY RIGHT IN THE SUBJECT MATTER OF THE DRAWING. THE DESIGN, CONSTRUCTION, TECHNICAL INFORMATION AND ALL OTHER SUBJECT MATTER SHOWN IN THIS DRAWING ARE AND REMAIN, EXCEPT AS MAY BE OTHERWISE INDICATED BY WRITTEN NOTICE HEREON, THE EXCLUSIVE PROPERTY OF SAID CORPORATION. THIS DRAWING MAY BE REPRODUCED ONLY BY LICENSEES AND ASSOCIATE CONTRACTORS OF SAID CORPORATION AND ONLY FOR LICENSED MANUFACTURE, AND BY VENDORS MANUFACTURING FOR SAID CORPORATION AND ONLY FOR LICENSEES AND ASSOCIATE CONTRACTORS.

WIRING CHART

EXCITING SEQUENCE



UNLESS OTHERWISE SPECIFIED ALL DIMENSIONS ARE IN MILLIMETERS AND TOLERANCES ARE AS BELOW PER ISO2768-cK.



DRAWN QHF DATE 20250228

APPRVD DATE

DINGS

LINEAR		ANGLUR	
0~3	±0.2	0~10	±1.5°
3~6	±0.5	10~50	±1°
6~30	±0.8	50~120	±30'
30~120	±1.5	120~400	±15'

MODEL VCHF-25.4-9.5-11-000

SIZE	A3	SHEET	2/2
SCALE	Free	REV	00

