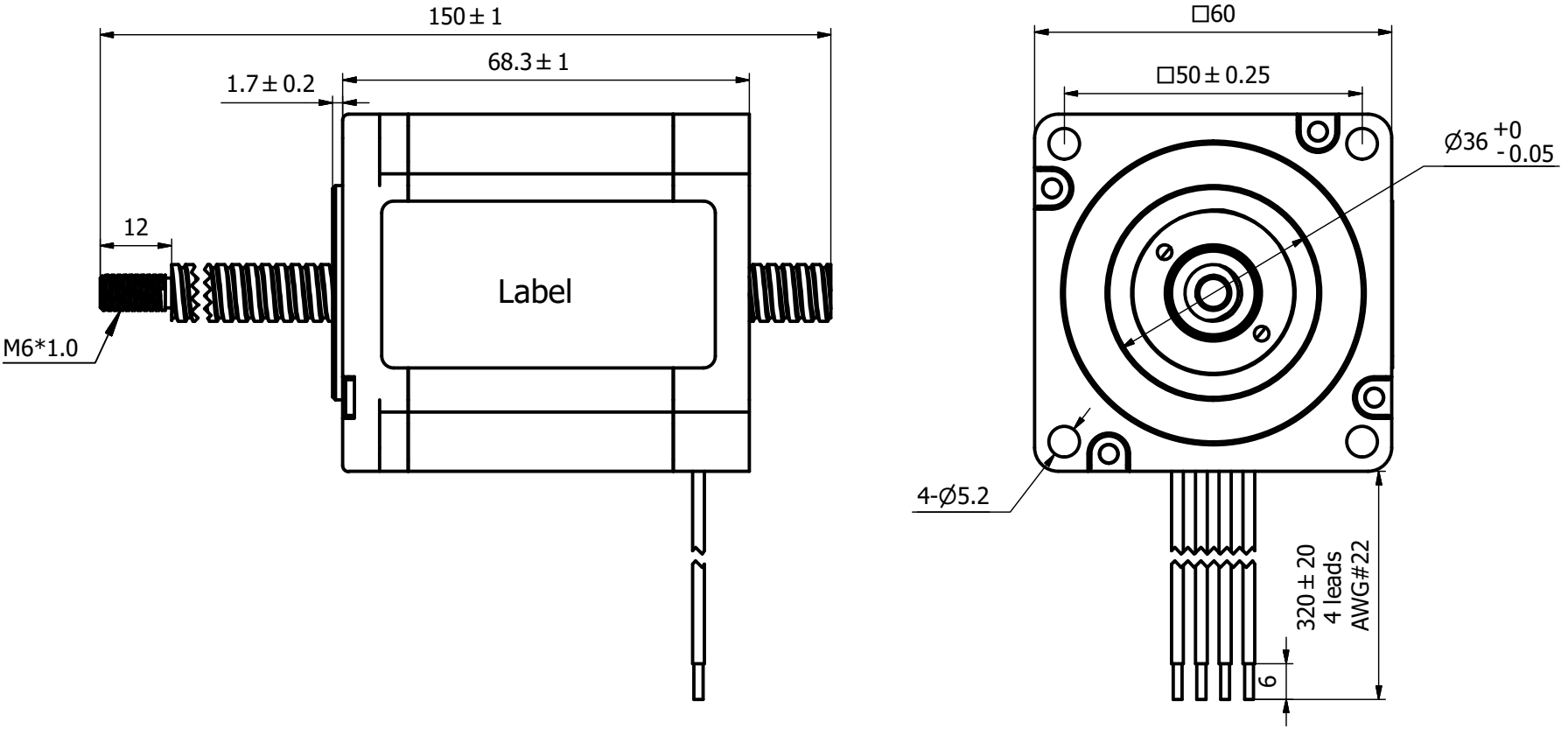


REVISION			
REV.	DATE	DESCRIPTION	DRAWN BY



Notes,
 1. To maximize output force and life of linear actuators, radial load on lead screws should be avoided or be kept at a minimum.

CUSTOMER		NOTICE TO PERSONS RECEIVING THIS DRAWING													
WIRING CHART		EXCITATION SEQUENCE		UNLESS OTHERWISE SPECIFIED ALL DIMENSIONS ARE IN MILLIMETERS AND TOLERANCES ARE AS BELOW PER ISO2768-ck.				DRAWN	Alice	DATE	2020/11/13	DINGS			
		CW	→			LINEAR		ANGULAR		APPRVD	DATE			SIZE	A3
		Red A+	+		-	0~3	±0.2	0~10	±1.5°	MODEL	24N22-150	SCALE	1: 1	REV	00
		Red/wht A-	-		+	3~6	±0.5	10~50	±1°						
		Green B+		+	-	6~30	±0.8	50~120	±30'						
		Grn/wht B-		-	+	30~120	±1.5	120~400	±15'						
		CCW	←												