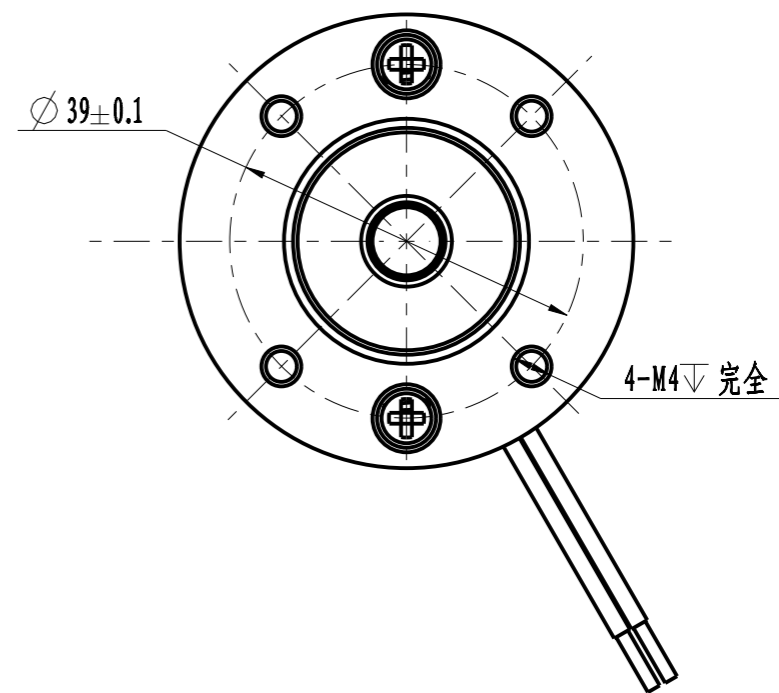
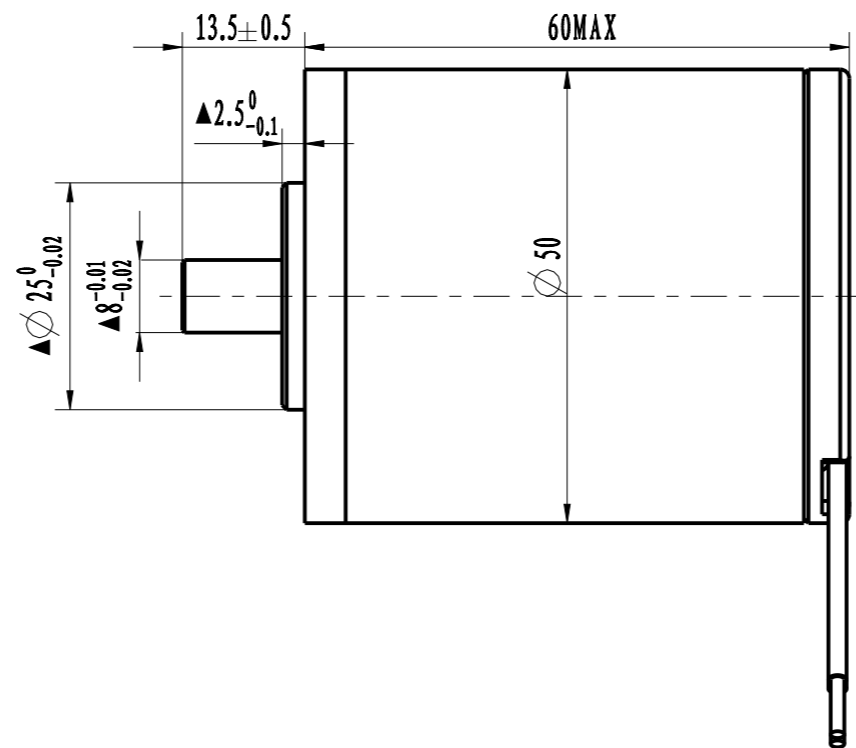
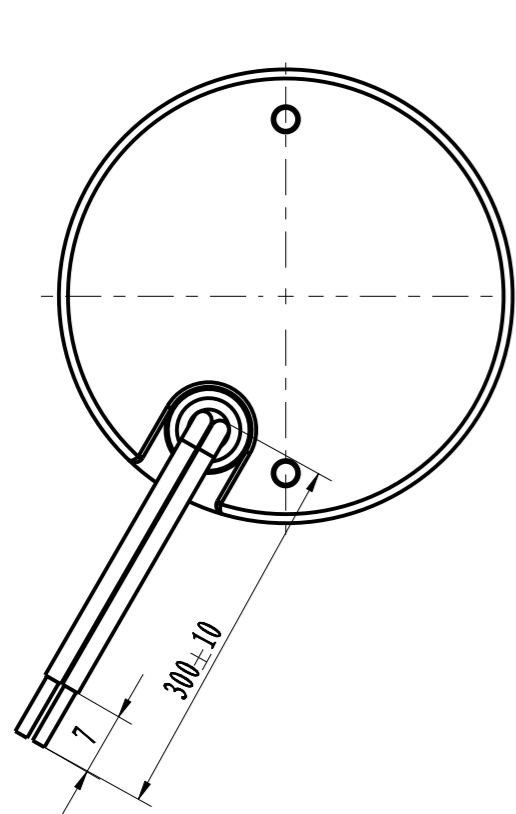


REVISION			
REV.	DATE	DESCRIPTION	DRAWN BY



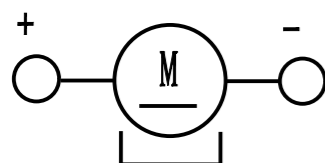
@25°C PARAMETER OF MOTOR @25°C		
SUPPLIER VOLTAGE	24	V/DC
ROTATION(VIEWED FROM SHAFT END)	CW	
NO LOAD SPEED	2100±10%	RPM
NO LOAD CURRENT	<0.2	A
STALL TORQUE	90	mN.m
STALL CURRENT	1.0	A
INSULATION CLASS	B/130°C	
INSULATION RESISTANCE	50/250V	MΩ
INSULATION VOLTAGE	600V AC/50HZ/5mA/1S	

CUSTOMER

WIRING CHART

Line color line sequence

NOTICE TO PERSONS RECEIVING THIS DRAWING  
 THIS DRAWING IS ONLY CONDITIONALLY ISSUED, AND FOR THE SOLE PURPOSE OF INFORMING LICENSEES AND ASSOCIATE CONTRACTORS OF DINGS' MOTION, AND VENDORS THERE TO AND CUSTOMERS THERE OF, RECEIPT OR POSSESSION THERE OF DOES NOT CONFERTO TRANSFER ANY RIGHT IN THE SUBJECT MATTER OF THE DRAWING. THE DESIGN, CONSTRUCTION, TECHNICAL INFORMATION AND ALL OTHER SUBJECT MATTER SHOWN IN THIS DRAWING ARE AND REMAIN, EXCEPT AS MAY BE OTHERWISE INDICATED BY WRITTEN NOTICE HERON, THE EXCLUSIVE PROPERTY OF SAID CORPORATION. THIS DRAWING MAY BE REPRODUCED ONLY BY LICENSEES AND ASSOCIATE CONTRACTORS OF SAID CORPORATION AND ONLY FOR LICENSED MANUFACTURE, AND BY VENDORS MANUFACTURING FOR SAID CORPORATION AND ONLY FOR LICENSEES AND ASSOCIATE CONTRACTORS.



UL3239 20AWG

Cathode

Red

Anode

Black

UNLESS OTHERWISE SPECIFIED ALL DIMENSIONS ARE IN MILLIMETERS AND TOLERANCES ARE AS BELOW

LINERA		ANGULAR	
0~3	±0.2	0~10	±1.5°
3~6	±0.5	10~50	±1°
6~30	±0.8	50~120	±30'
30~120	±1.5	120~400	±15'

DRAWN	李清珍	DATE	20250107
CHECK	陈洪刚	DATE	20250107
APPRVD	于彩云	DATE	20250107
COUNTERSIGN		DATE	

**DINGS**

MODEL	50ZYTC60-1.0.0-00WX
-------	---------------------

SIZE A3 SHEET 1/1

SCALE 1:1 & RTC-WM-REVISION

