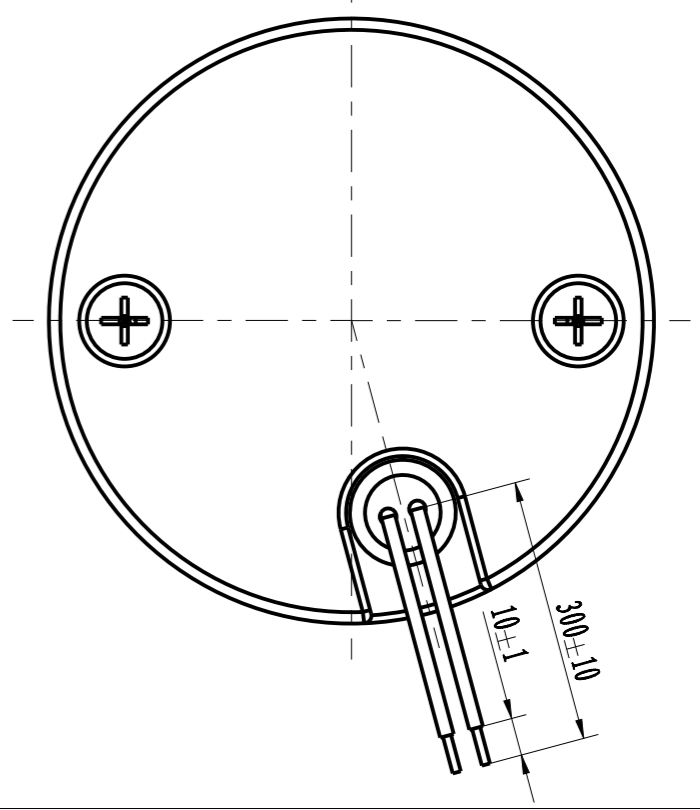
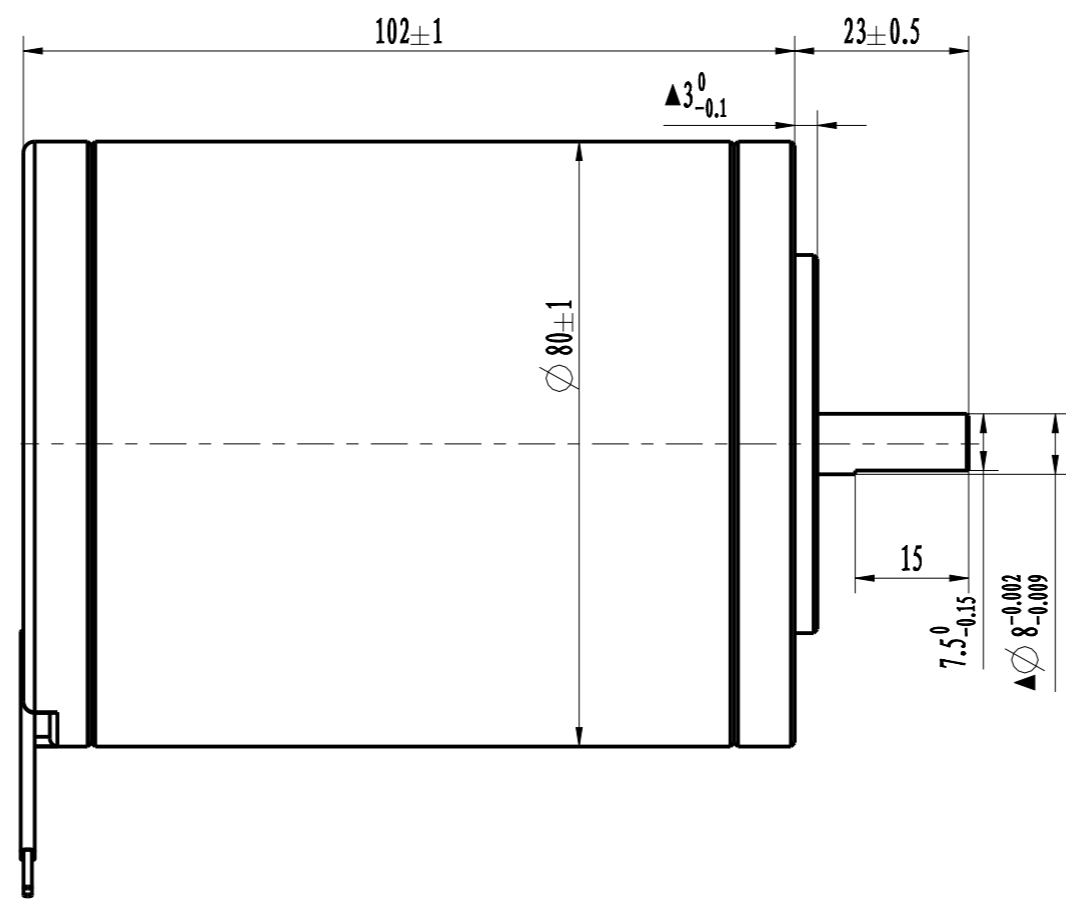
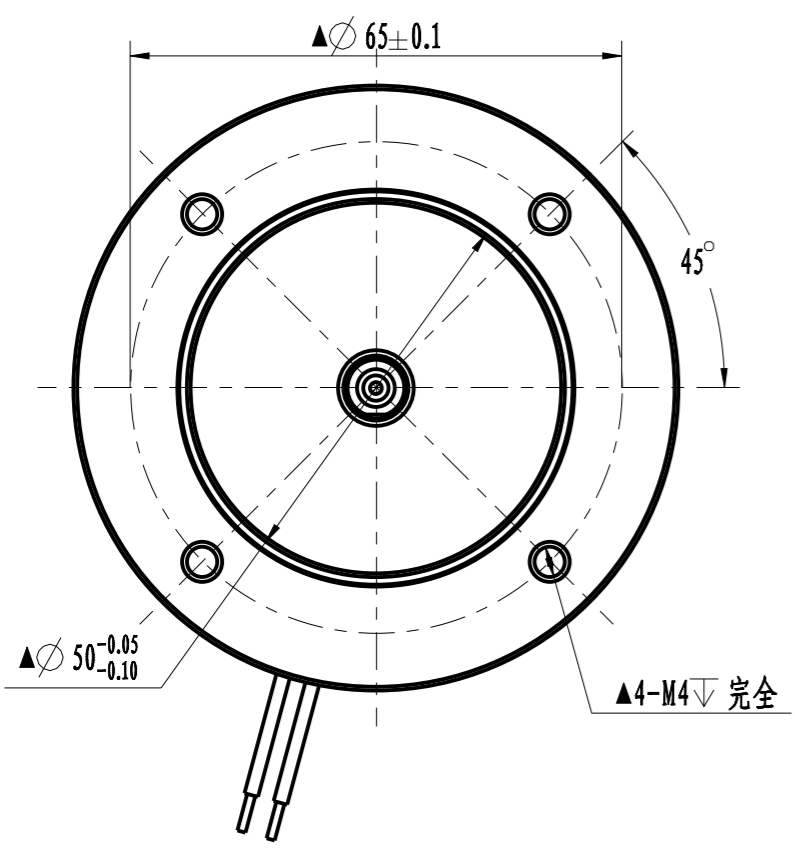


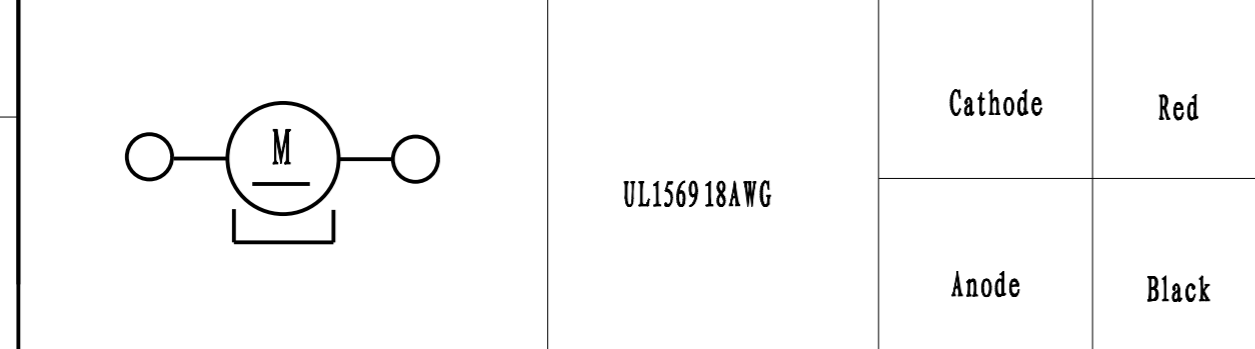
REVISION			
REV.	DATE	DESCRIPTION	DRAWN BY



@25°C PARAMETER OF MOTOR @25°C		
SUPPLIER VOLTAGE	24	V/DC
ROTATION(VIEWED FROM SHAFT END)	CW	
NO LOAD SPEED	3200±10%	RPM
NO LOAD CURRENT	<0.4	A
SPEED @ CONT.TORQUE	2500±10%	RPM
CURRENT @ CONT.TORQUE	<4.5	A
CONTINUOUS TORQUE	0.25	N.m
POWER	65	W
INSULATION CLASS	B/130°C	
INSULATION RESISTANCE	50/250V	MΩ
INSULATION VOLTAGE	800V AC/50HZ/2mA/1S	

CUSTOMER

WIRING CHART



NOTICE TO PERSONS RECEIVING THIS DRAWING  
 THIS DRAWING IS ONLY CONDITIONALLY ISSUED, AND FOR THE SOLE PURPOSE OF INFORMING LICENSEES AND ASSOCIATE CONTRACTORS OF DINGS' MOTION, AND VENDORS THERE TO AND CUSTOMERS THERE OF, RECEIPT OR POSSESSION THERE OF DOES NOT CONFERTO TRANSFER ANY RIGHT IN THE SUBJECT MATTER OF THE DRAWING. THE DESIGN, CONSTRUCTION, TECHNICAL INFORMATION AND ALL OTHER SUBJECT MATTER SHOWN IN THIS DRAWING ARE AND REMAIN, EXCEPT AS MAY BE OTHERWISE INDICATED BY WRITTEN NOTICE HERON, THE EXCLUSIVE PROPERTY OF SAID CORPORATION. THIS DRAWING MAY BE REPRODUCED ONLY BY LICENSEES AND ASSOCIATE CONTRACTORS OF SAID CORPORATION AND ONLY FOR LICENSED MANUFACTURE, AND BY VENDORS MANUFACTURING FOR SAID CORPORATION AND ONLY FOR LICENSEES AND ASSOCIATE CONTRACTORS.

UNLESS OTHERWISE SPECIFIED ALL DIMENSIONS ARE IN MILLIMETERS AND TOLERANCES ARE AS BELOW				DRAWN	刘慧敏	DATE	20250106	<b>DINGS</b>			
LINERA		ANGULAR		CHECK	陈洪刚	DATE	20250107				
0~3	±0.2	0~10	±1.5°	APPRVD	于彩云	DATE	20250107	SIZE	A3	SHEET	1/1
3~6	±0.5	10~50	±1°	COUNTERSIGN		DATE		SCALE	3:1	& RTC-WM-REVISION	
6~30	±0.8	50~120	±30'	MODEL	80ZYTC102-1.0.0-00WX						
30~120	±1.5	120~400	±15'								

Line color line sequence	
Cathode	Red
Anode	Black