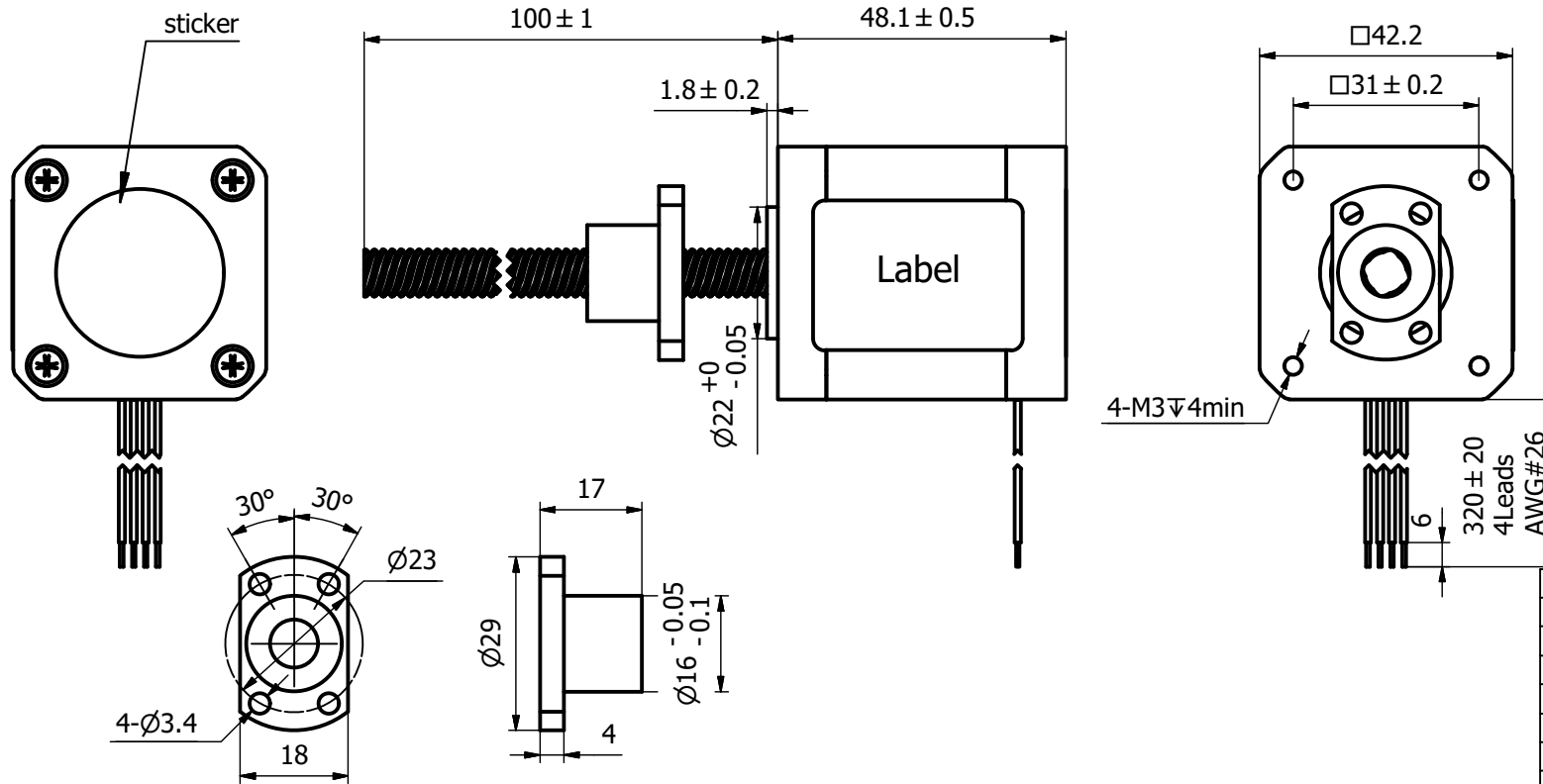


CE  
RoHS

17E2225BS14-100  
DINGS' MOTION  
Work order  
DATE REV00

REVISION			
REV.	DATE	DESCRIPTION	DRAWN BY



Motor's phase	2
Step angle	1.8°
Rated current/phase	2.5 A
Resistance/phase	1.0Ω±10%
Inductance/phase	1.8mH±20%
Linear travel per step	0.005mm/step
Ball screw diameter	Φ8.0mm
Ball screw lead	1.0mm
Grade	C7(KSS)
Insulation class	B
Insulation resistance	100MΩ(500VDC)
Heat rise	80°C
Motor weight	0.386 kg

**Notes,**  
1.To maximize output force and life of linear actuators,  
radial load on lead screws should be avoided or be kept at a minimum.

CUSTOMER		NOTICE TO PERSONS RECEIVING THIS DRAWING																	
WIRING CHART		EXCITATION SEQUENCE				UNLESS OTHERWISE SPECIFIED ALL DIMENSIONS ARE IN MILLIMETERS AND TOLERANCES ARE AS BELOW PER ISO2768-ck.				DRAWN		QIN		DATE		2022/12/28			
		CW		→		LINEAR		ANGULAR		APPRVD		DATE							
		Red A+	+	-	0~3	±0.2	0~10	±1.5°	MODEL		17E2225BS14-100								
		Red/wht A-	-	+	3~6	±0.5	10~50	±1°											
		Green B+		+	-	6~30	±0.8	50~120					±30'						
		Grn/wht B-		-	+	30~120	±1.5	120~400					±15'						
CCW		←		SIZE		A3		SHEET					1 OF 1		SCALE		1: 1		REV