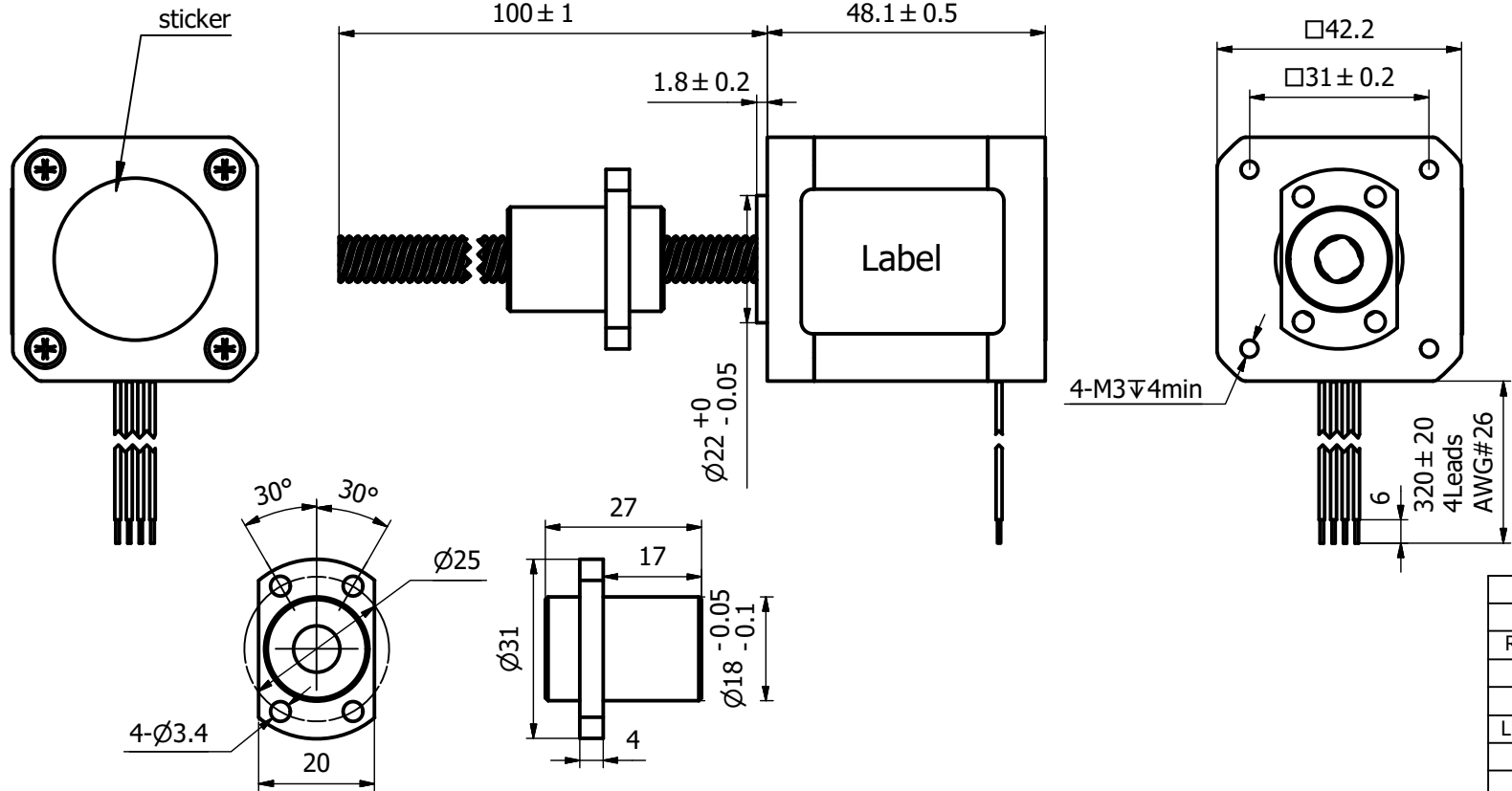


CE
RoHS

17E2225BS124-100
DINGS' MOTION
Work order
DATE REV00

REVISION			
REV.	DATE	DESCRIPTION	DRAWN BY



Motor's phase	2
Step angle	1.8°
Rated current/phase	2.5 A
Resistance/phase	1.0Ω±10%
Inductance/phase	1.8mH±20%
Linear travel per step	0.06mm/step
Ball screw diameter	∅8.0mm
Ball screw lead	12mm
Grade	C7(KSS)
Insulation class	B
Insulation resistance	100MΩ(500VDC)
Heat rise	80°C
Motor weight	0.386 kg

Notes,
 1.To maximize output force and life of linear actuators,
 radial load on lead screws should be avoided or be kept at a minimum.

NOTICE TO PERSONS RECEIVING THIS DRAWING
 THIS DRAWING IS ONLY CONDITIONALLY ISSUED, AND FOR THE SOLE PURPOSE OF INFORMING LICENSEES AND ASSOCIATE CONTRACTORS OF DINGS' MOTION, AND VENDORS THERETO AND CUSTOMERS THEREOF, RECEIPT OR POCESSION THEREOF DOES NOT CONFER TO TRANSFER ANY RIGHT IN THE SUBJECT MATTER OF THE DRAWING. THE DESIGN, CONSTRUCTION, TECHNICAL INFORMATION AND ALL OTHER SUBJECT MATTER SHOWN IN THIS DRAWING ARE AND REMAIN, EXCEPT AS MAY BE OTHERWISE INDICATED BY WRITTEN NOTICE HEREON, THE EXCLUSIVE PROPERTY OF SAID CORPORATION. THIS DRAWING MAY BE REPRODUCED ONLY BY LICENSEES AND ASSOCIATE CONTRACTORS OF SAID CORPORATION AND ONLY FOR LICENSED MANUFACTURE, AND BY VENDORS MANUFACTURING FOR SAID CORPORATION AND ONLY FOR LICENSEES AND ASSOCIATECONTRACTORS.

CUSTOMER			
WIRING CHART	EXCITATION SEQUENCE		
	CW	→	
	Red A+	+	-
	Red/wht A-	-	+
	Green B+	+	-
	Grn/wht B-	-	+
CCW	←		

DRAWN	QIN	DATE	2022/12/28
	APPRVD	DATE	
MODEL	17E2225BS124-100		
	UNLESS OTHERWISE SPECIFIED ALL DIMENSIONS ARE IN MILLIMETERS AND TOLERANCES ARE AS BELOW PER ISO2768-ck.		
	LINEAR	ANGULAR	
	0~3	±0.2	0~10 ±1.5°
3~6	±0.5	10~50 ±1°	
6~30	±0.8	50~120 ±30'	
30~120	±1.5	120~400 ±15'	

DINGS'

SIZE	A3	SHEET	1 OF 1
SCALE	1: 1	REV	00