

DINGS'

Precision Motion Specialist

MICRO RADIAL BLDC BLOWER PRODUCT CATALOG

Jiangsu DINGS' Intelligent Control Technology Co., Ltd.





Founded in 2008, Jiangsu DINGS' Intelligent Control Technology Co., Ltd. is guided by the philosophy, **"Quality stems from responsibility, and details determine success."**

As a global leader in precision linear motion, DINGS' delivers a comprehensive portfolio of precision stepper, DC and BLDC motors, voice coil motors, lead and ball screw linear actuators, PMSM motors for eco-mobility, and advanced motion controllers — setting new benchmarks in the global motion control market.

SCALE

300+ Advanced Machining Equipment



40+ Automated Assembly Lines



100+ Precision Testing & Analysis Systems



140+ Patents & Intellectual Properties



GROWTH

2008 Company Founded & DINGS' Brand Established

2010 DINGS' Motion USA Established

2016 DINGS' Korea Established

2019 Joined LEILI Group

2021 Changzhou Intelligent Manufacturing Plant Established
Listed on China NEEQ Market

2022 Korea R&D Center Established

Listed on Beijing Stock Exchange [Stock Code: 920593]

2023 DINGS' Korea Converted to Corporate Entity
DINGS' Japan Established

2024 New Headquarters & Plant Established
DINGS' Motion Europe Established

2025 Thailand Manufacturing Facility Established

CERTIFICATIONS



Quality



Environmental



Health & Safety



Medical Device Quality



Laboratory Accreditation



Automotive Quality



Intellectual Property



Safety Standards



Environmental Standards - RoHS



Environmental Standards - REACH

PRODUCT WARRANTY

Warranty period: 1 year from shipment.

Free repair is provided for defects in materials or workmanship under normal use.

Warranty does not apply to:

- Warranty expiration or damaged/lost nameplates
- Improper installation or operating conditions
- Unauthorized disassembly or modification
- Repairs conducted outside of official service channels
- Force majeure, including natural disasters

DINGS' is committed to quality, reliability, and responsibility

— delivering high-performance motion solutions built on precision engineering.

Contents

Micro Radial BLDC Blower

Applications & Typical Use Cases	4
Product Model Configuration & Specification Guide	5
C Series (External Driver Type)	
C50	6
C60	7
C65	8
C68	9
C75	10
C80-1	11
C80-2	12
C90	13
C90-L	14
C100	15
S Series (Integrated Driver Type)	
S80	16
S85	17
S145	18
Certificates	19



Applications & Typical Use Cases

Key Application Areas

Medical & Healthcare



Hydrogen Fuel Cell Systems



Industrial Automation Testing & Monitoring Equipment



Applications for Special Operating Environments

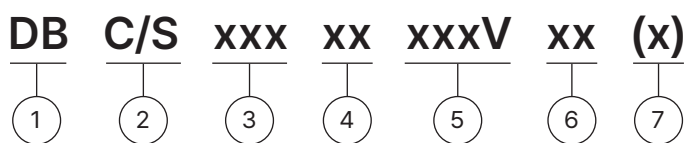


Typical Applications

Medical & Healthcare	Industrial Automation	Hydrogen Fuel Cell
<ul style="list-style-type: none"> Medical ventilators Home ventilators CPAP / BiPAP devices Veterinary ventilators Cough assist devices Anesthesia machines Anti-decubitus mattresses Medical bathing equipment Medical sterilization equipment Oxygen concentrators Other medical and healthcare equipment 	<ul style="list-style-type: none"> Automated test and inspection equipment Process monitoring systems Precision motion control equipment Other industrial automation equipment 	<ul style="list-style-type: none"> Hydrogen-powered two-wheelers Hydrogen-powered drones Hydrogen-powered logistics vehicles Hydrogen-based CHP systems Hydrogen power systems for telecom towers Hydrogen-powered AGVs Hydrogen-powered forklifts Hydrogen-powered vessels Hydrogen-powered vehicles Hydrogen-based energy storage systems Other hydrogen energy applications

Product Model Configuration & Specification Guide

How to Configure the Product Model



① Product Category

D = DINGS'

B = Blower

② Drive Type

C = External Driver

S = Integrated Driver

③ Blower Series Code

80, 90, 100, etc.

④ Specification Code

01 ~ 99

⑤ Voltage

12V, 24V, 48V, 220V, etc.

⑥ Model Configuration

1 = Standard model

11 = With inlet extension pipe

12 = With outlet extension pipe

13 = With inlet/outlet extension pipe

2, 3, 4 ... = Derivative models

⑦ Custom Code

1, 2, 3 = Custom specification code
(Leave blank for standard specifications)

Examples

DB C8007-24V-1	DB C8007-24V-2	Standard model
DB C8007-24V-11	DB C8007-24V-21	With inlet extension pipe
DB C8007-24V-12	DB C8007-24V-22	With outlet extension pipe
DB C8007-24V-13	DB C8007-24V-23	With inlet/outlet extension pipe

C80xx-1 / C80xx-2 Comparison Table

	Item	DB C8007-24V-1	DB C8007-24V-2
1	Function		Same
2	Performance		Same
3	Lifetime		Same
4	Voltage Range		Same
5	Max Current		Same
6	Dimensions		Same
7	Weight	310 g	330 g
8	Operating Temperature	-20°C ~ 50°C	-30°C ~ 50°C
9	Humidity	≤85% RH	≤95% RH
10	Acid Resistance	None	Yes
11	Corrosion Protection	None	Yes

Product Name

C50 Micro Radial Blower

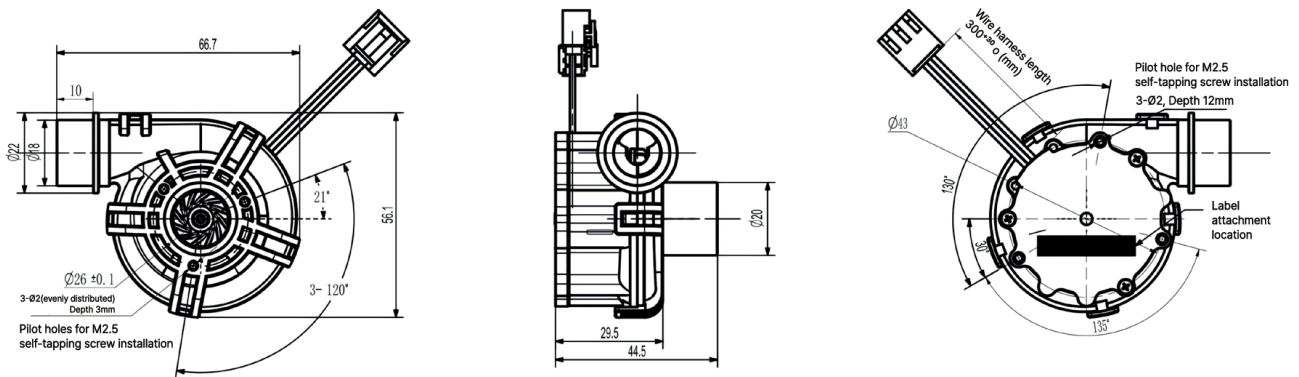
- High performance with high static pressure and airflow
- Low noise and low vibration design
- High reliability with a long service life of over 20,000 hours
- Compact design for easy system integration
- Operating conditions: -20°C to 50°C, ≤85% RH



C50 Series Blower

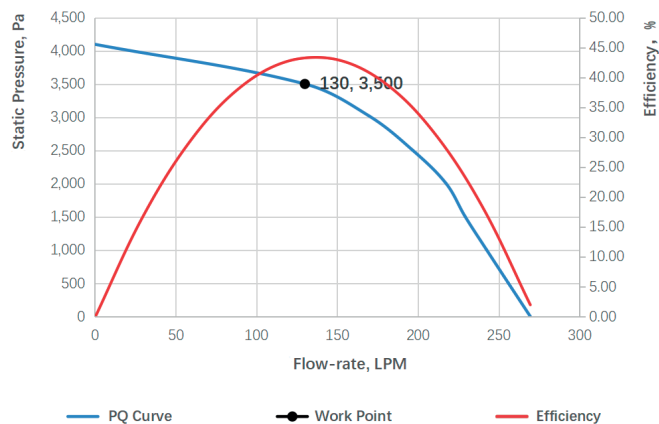
No.	Product Model	Voltage	Max Static Pressure	Max Airflow		Operating Point			Power		With Hall Sensor
						Static Pressure	Airflow		Max	Rated	
		V	kPa	LPM	m ³ /h	kPa	LPM	m ³ /h	W	W	Y/N
1	C5001-24V-1	24	4.1	275	16.5	3.5	130	7.8	24	19	N

Dimensions : 66.7×56.1×44.5 mm



Performance Curves

Performance Curves
AB C5001 Blower



Product Name

C60 Micro Radial Blower

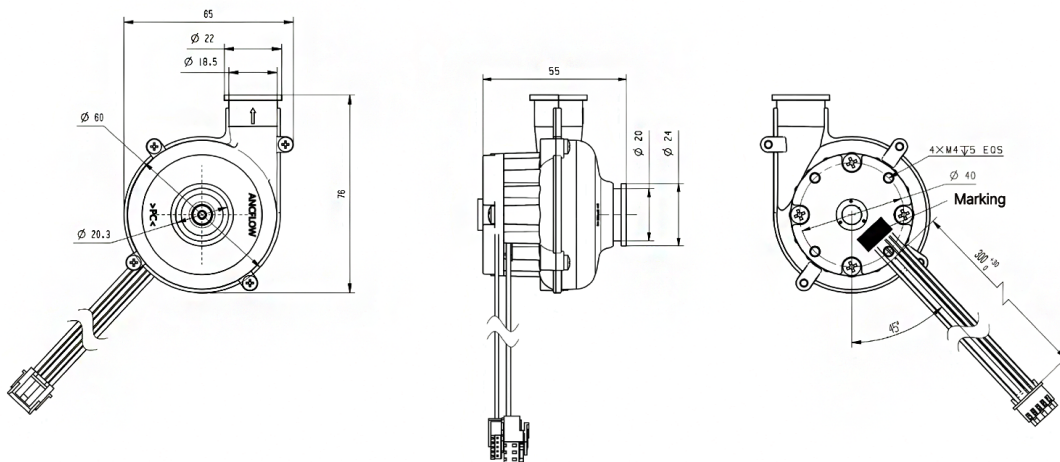
- High performance with high static pressure and airflow
- Low noise and low vibration design
- High reliability with a long service life of over 20,000 hours
- Compact design for easy system integration
- Operating conditions: -20°C to 50°C, ≤85% RH



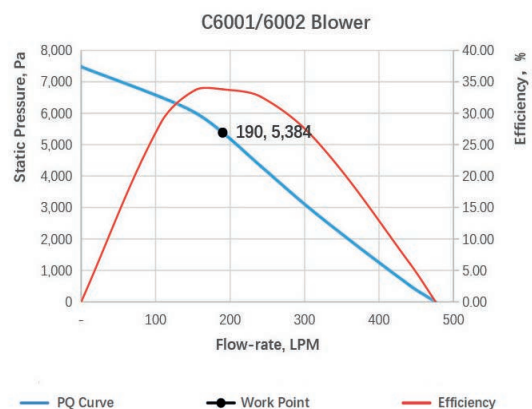
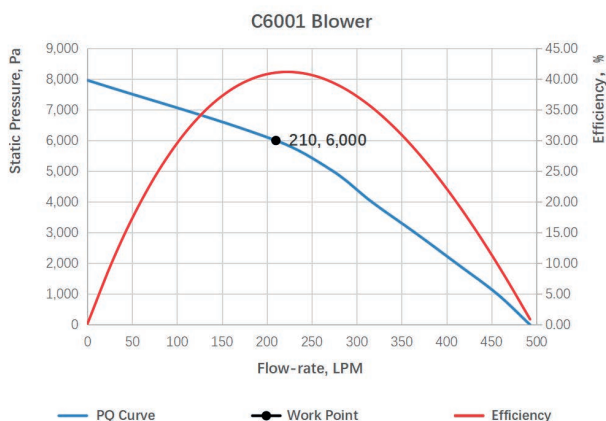
C60 Series Blower

No.	Product Model	Voltage	Max Static Pressure	Max Airflow		Operating Point			Power		With Hall Sensor
						Static Pressure	Airflow		Max	Rated	
		V	kPa	LPM	m ³ /h	kPa	LPM	m ³ /h	W	W	Y/N
1	C6001-xxV-L	24 / 48	8	480	28.8	6	210	12.6	74	60	N
2	C6002-xxV-L	12 / 24	7	450	27	5.4	190	11.4	65	50	Y

Dimensions : 60.5×76.0×55.0 mm



Performance Curves



Product Name

C65 Micro Radial Blower

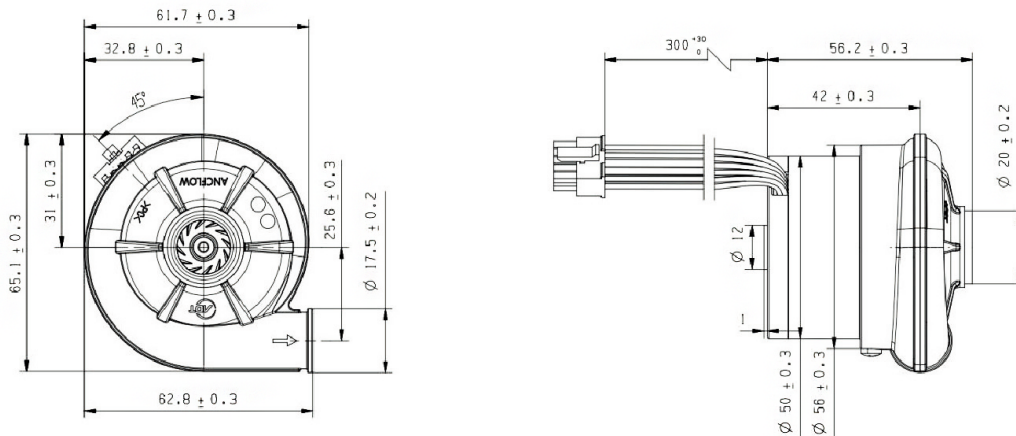
- High performance with high static pressure and airflow
- Low noise and low vibration design
- High reliability with a long service life of over 20,000 hours
- Compact design for easy system integration
- Operating conditions: -20°C to 50°C, ≤85% RH



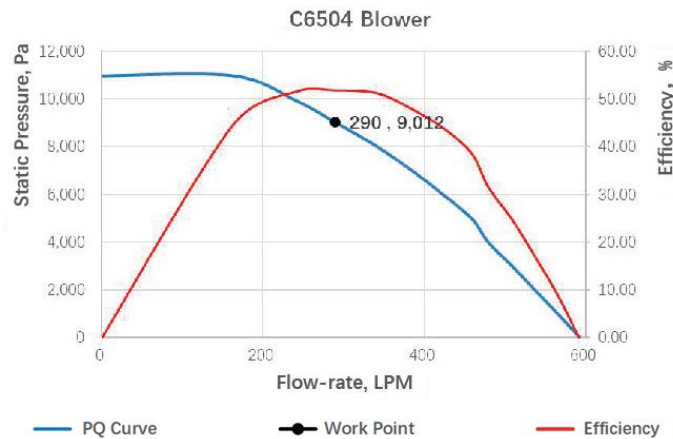
■ C65 Series Blower

No.	Product Model	Voltage	Max Static Pressure	Max Airflow		Operating Point			Power		With Hall Sensor
						Static Pressure	Airflow		Max	Rated	
		V	kPa	LPM	m ³ /h	kPa	LPM	m ³ /h	W	W	Y/N
1	C6504-xxV-1	24	10.7	580	34.8	8.4	273	16.4	97	77	Y

■ Dimensions : 65.1×62.8×56.2 mm



■ Performance Curves



Product Name

C68 Micro Radial Blower

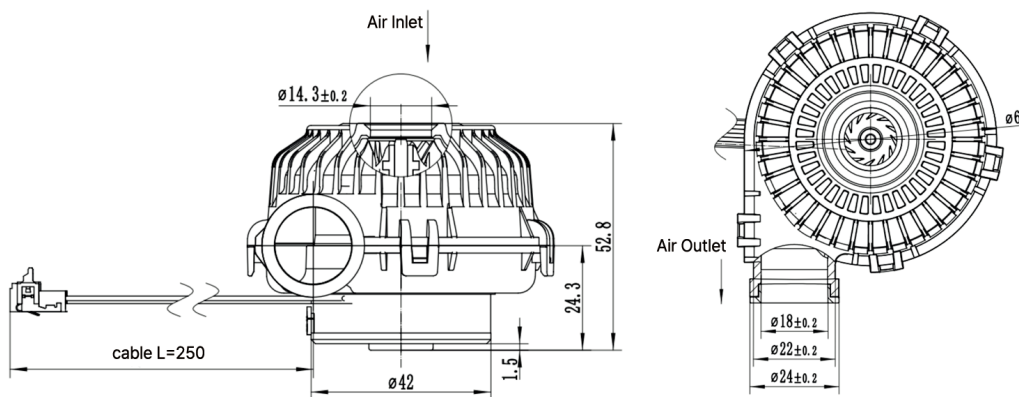
- High performance with high static pressure and airflow
- Low noise and low vibration design
- High reliability with a long service life of over 50,000 hours
- Compact design for easy system integration
- Operating conditions: -20°C to 50°C, ≤85% RH



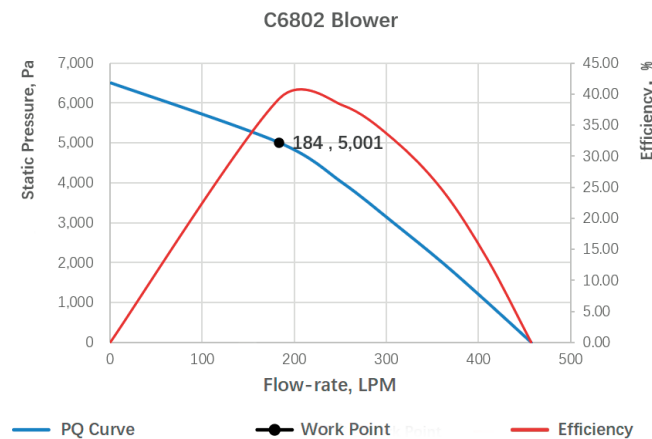
■ C68 Series Blower

No.	Product Model	Voltage	Max Static Pressure	Max Airflow		Operating Point			Rated power	With Hall Sensor	NTC Sensor
						Static Pressure	Airflow				
		V	kPa	LPM	m ³ /h	kPa	LPM	m ³ /h	W	Y/N	Y/N
1	C6802-24V-1	24	6.5	450	27	5	183	10.9	54	Y	Y

■ Dimensions : 78.0×68.0×53.0 mm



■ Performance Curves



Product Name

C75 Micro Radial Blower

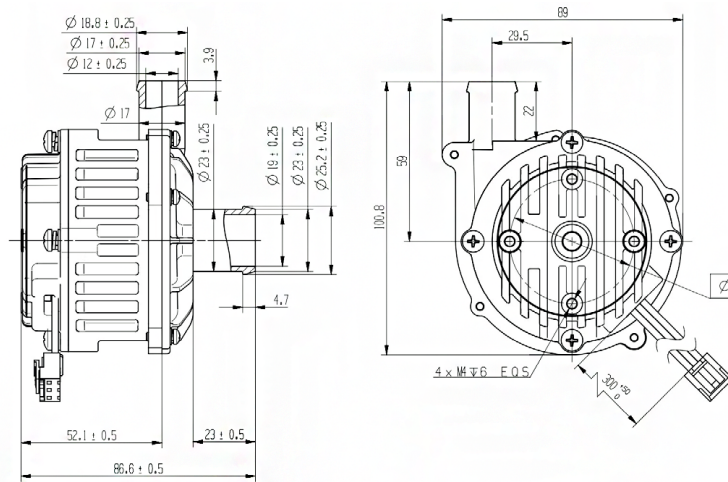
- High performance with high static pressure and airflow
- Low noise and low vibration design
- High reliability with a long service life of over 20,000 hours
- Compact design for easy system integration
- Operating conditions: -20°C to 50°C, ≤85% RH



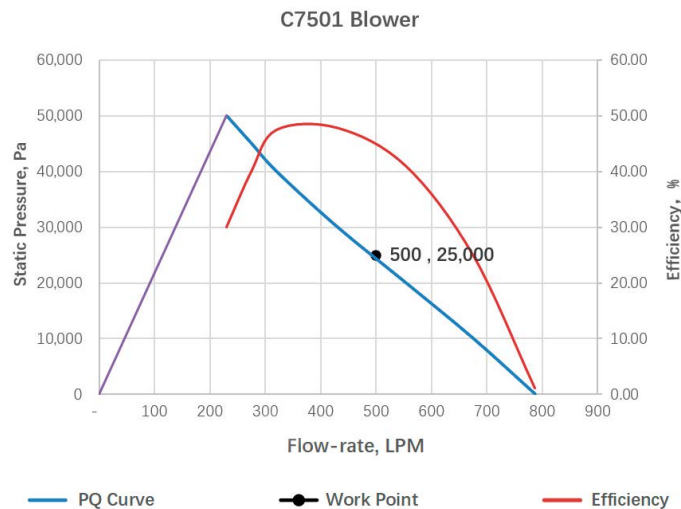
■ C75 Series Blower

No.	Product Model	Voltage	Max Static Pressure	Max Airflow		Operating Point			Power		With Hall Sensor
						Static Pressure	Airflow		Max	Rated	
							kPa	LPM			
1	C7501-48V-1	48	50	790	47.4	25	500	30	450	450	Y

■ Dimensions : 101.0×85.9×86.6 mm



■ Performance Curves



Product Name

C80-1 Micro Radial Blower

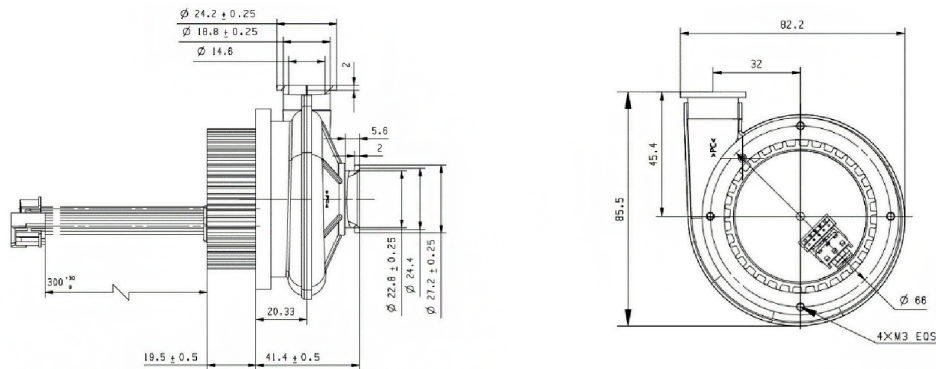
- High performance with high static pressure and airflow
- Low noise and low vibration design
- High reliability with a long service life of over 20,000 hours
- Compact design for easy system integration
- Operating conditions: -20°C to 50°C, ≤85% RH



■ C80-1 Series Blower

No.	Product Model	Voltage	Max Static Pressure	Max Airflow		Operating Point			Power		With Hall Sensor
						Static Pressure	Airflow		Max	Rated	
							kPa	LPM			
1	C8001-xxV-1	220	17	960	57.5	12	430	25.8	197	151	N
2	C8002-xxV-1	24 / 48	17	960	57.5	12	388	23.3	197	151	Y
3	C8010-xxV-1	24 / 48	12	832	49.9	9.5	340	20.4	145	108	Y
4	C8011-xxV-1	24	11	860	51.6	8	425	25.5	135	99	N
5	C8012-xxV-1	12 / 24	11	807	48.4	9.1	310	18.6	130	96	Y

■ Dimensions : 82.2×85.5×60.9 mm



■ Performance Curves



Product Name

C80-2 Micro Radial Blower

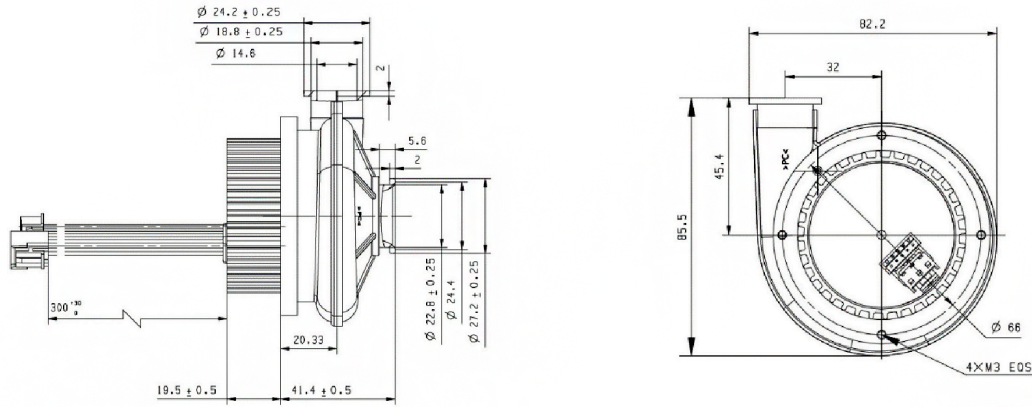
- High performance with high static pressure and airflow
- Suitable for use in acidic, alkaline, and corrosive gas environments
- High reliability with a long service life of over 20,000 hours
- Compact design for easy system integration
- Operating conditions: -20°C to 50°C, ≤85% RH



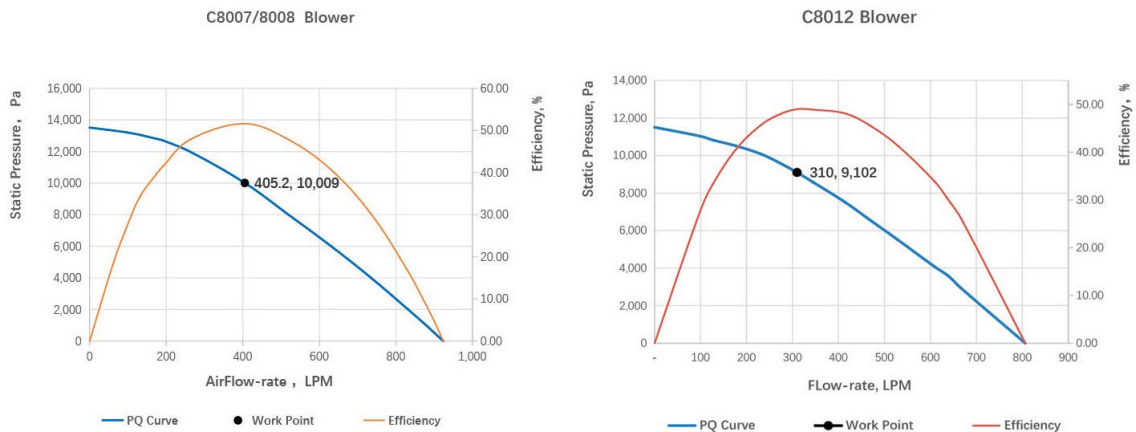
■ C80-2 Series Blower

No.	Product Model	Voltage	Max Static Pressure	Max Airflow		Operating Point			Power		With Hall Sensor
						Static Pressure	Airflow		Max	Rated	
		V	kPa	LPM	m ³ /h	kPa	LPM	m ³ /h	W	W	Y/N
1	C8007-xxV-2	24	13.5	887	53.2	10	405	24.3	170	135	N
2	C8008-xxV-2	24 / 48	13.5	887	53.2	10	405	24.3	170	135	Y
3	C8012-xxV-2	12 / 24	11	807	48.4	9.1	310	18.6	130	96	Y

■ Dimensions : 82.2×85.5×60.9 mm



■ Performance Curves



Product Name

C90 Micro Radial Blower

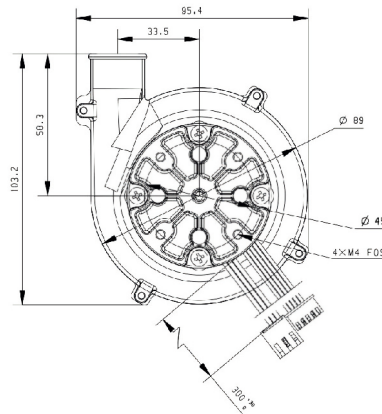
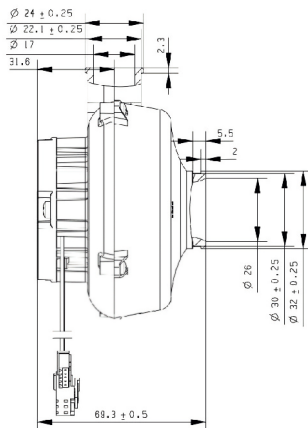
- High performance with high static pressure and airflow
- High reliability with a long service life of over 20,000 hours
- Compact design for easy system integration
- Operating conditions: -20°C to 50°C, ≤85% RH



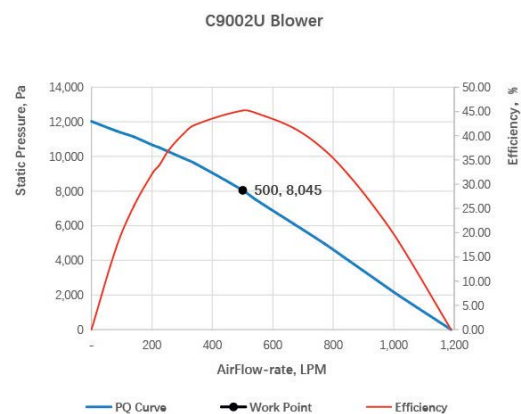
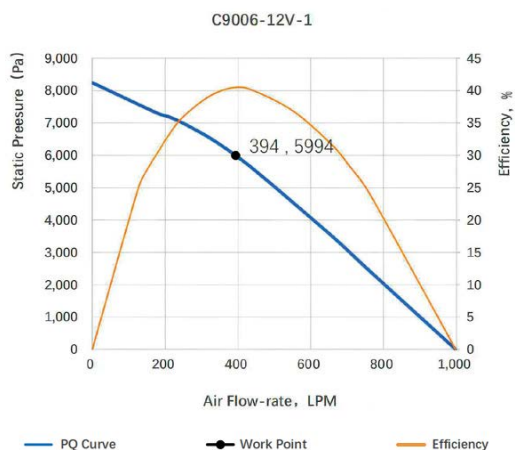
■ C90 Series Blower

No.	Product Model	Voltage	Max Static Pressure	Max Airflow		Operating Point			Power		With Hall Sensor
						Static Pressure	Airflow		Max	Rated	
							kPa	LPM			
1	C9002U-xxV-1	48	12	1190	71.4	8	500	30	190	145	Y
2	C9006-xxV-1	12	7.5	1024	61.4	5.9	407	24.4	118	85	Y

■ Dimensions : 95.4×103.2×69.3 mm



■ Performance Curves



Product Name

C90-L Micro Radial Blower

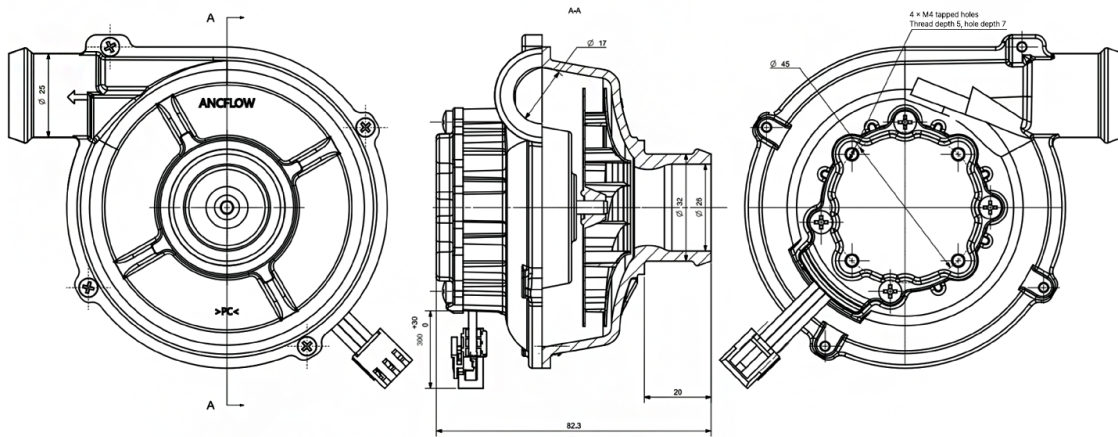
- High performance with high static pressure and airflow
- Low noise and low vibration design
- High reliability with a long service life of over 20,000 hours
- Compact design for easy system integration
- Operating conditions: -20°C to 50°C, ≤85% RH



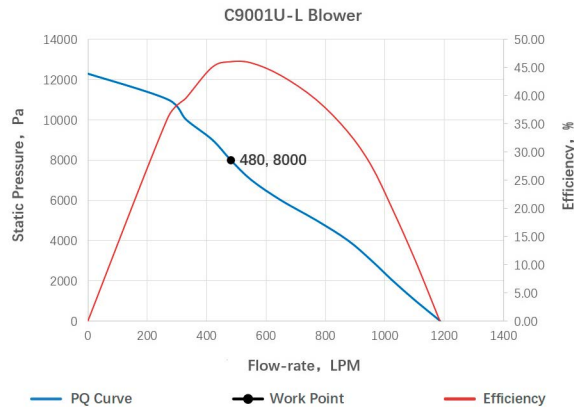
■ C90-L Series Blower

No.	Product Model	Voltage	Max Static Pressure	Max Airflow		Operating Point			Power		With Hall Sensor
						Static Pressure	Airflow		Max	Rated	
		V	kPa	LPM	m ³ /h	kPa	LPM	m ³ /h	W	W	Y/N
1	C9001U-24V-L	24	12	1190	71.4	8	480	28.8	180	140	N
2	C9002U-24V-L	24	12	1190	71.4	8	480	28.8	180	140	Y

■ Dimensions : 113.0×99.0×82.0 mm



■ Performance Curves



Product Name

C100 Micro Radial Blower

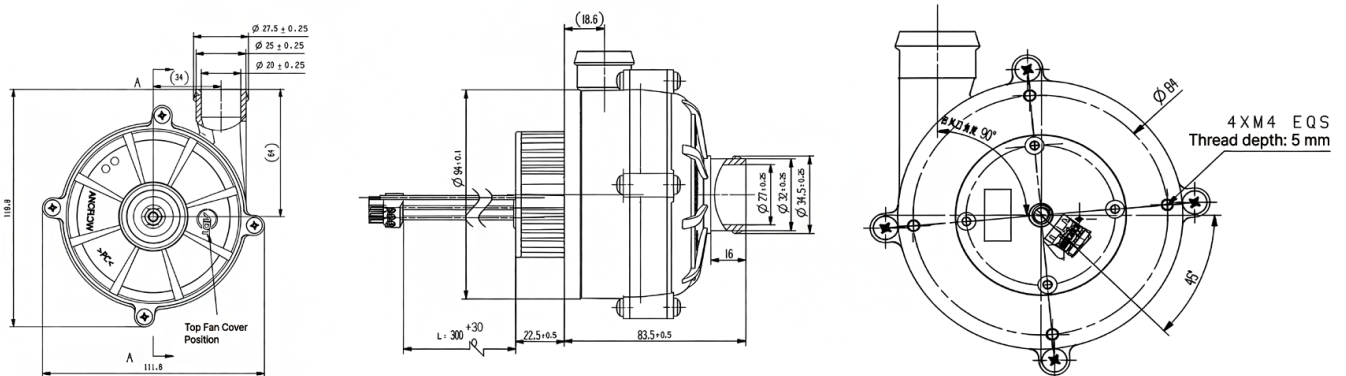
- High performance with high static pressure and airflow
- Low noise and low vibration design
- High reliability with a long service life of over 15,000 hours
- Compact design for easy system integration
- Operating conditions: -20°C to 50°C, ≤85% RH



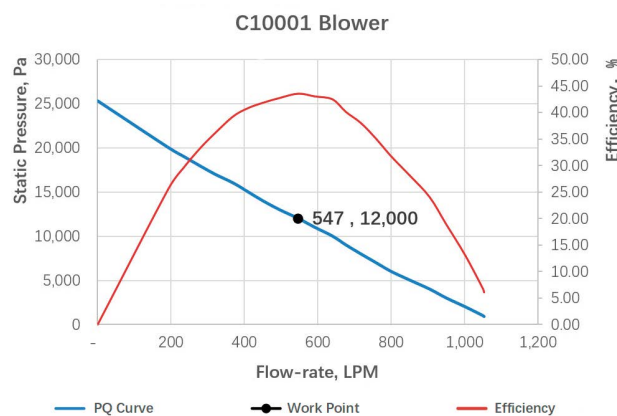
■ C100 Series Blower

No.	Product Model	Voltage	Max Static Press	Max negative Press	Max Airflow		Operating Point			Power		With Hall Sensor
							Static Pressure	Airflow		Max	Rated	
								kPa	LPM			
1	C10001-48V-1	48	25	24	1050	63	12	547	33	260	251	N

■ Dimensions : 120.0×112.0×106.0 mm



■ Performance Curves



Product Name

S80 Micro Radial Blower

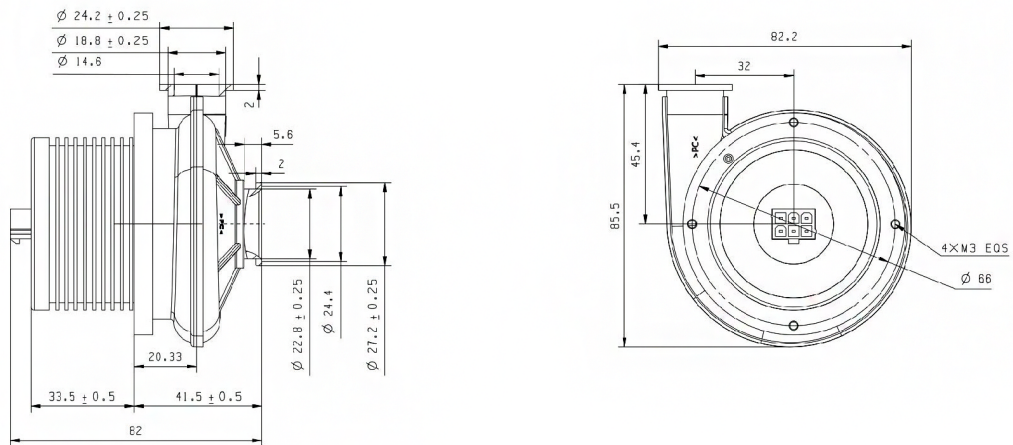
- High performance with high static pressure and airflow
- Low noise and low vibration design
- High reliability with a long service life of over 20,000 hours
- Compact design with integrated motor driver
- Operating conditions: -20°C to 50°C, ≤85% RH



S80 Series Blower

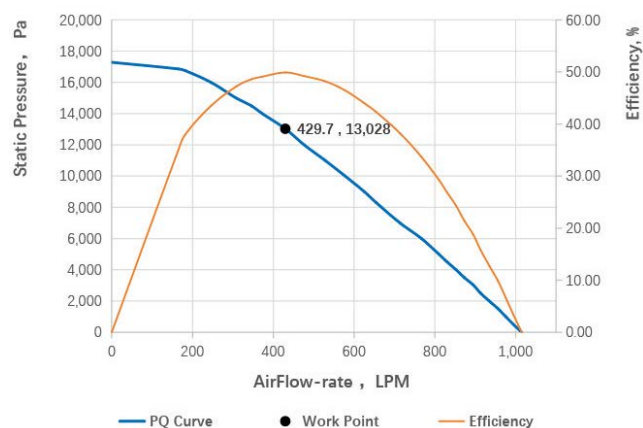
No.	Product Model	Voltage	Max Static Pressure	Max Airflow		Operating Point			Power		With Hall Sensor
						Static Pressure	Airflow		Max	Rated	
							kPa	LPM			
1	S8001-24V-1	24	17	960	57.5	13	430	25.8	240	187	N

Dimensions : 82.2×85.5×82.0 mm



Performance Curves

S8001 Blower



Product Name

S85 Automotive-Grade Radial Blower

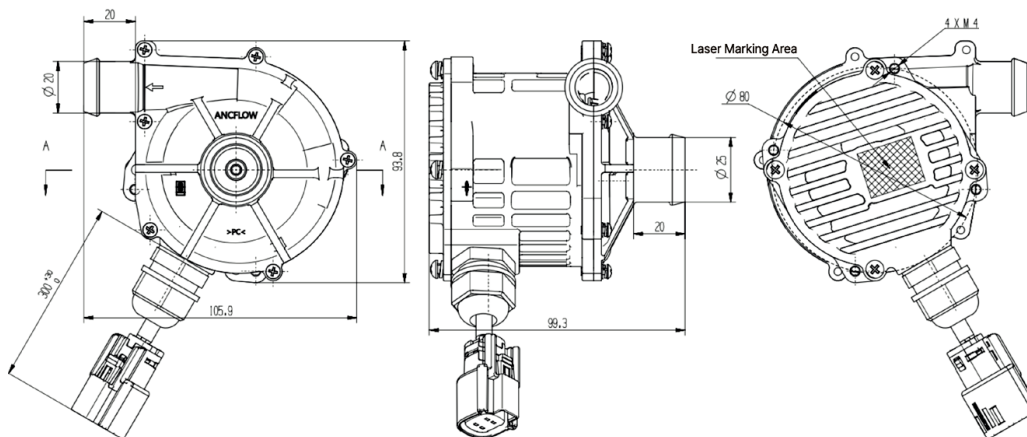
- High performance with high static pressure and airflow
- Low noise and low vibration design
- High reliability with a long service life of over 20,000 hours
- Compact design for easy system integration
- Operating conditions: -40°C ~ 85°C, ≤85% RH
- IP67 protection rating



S85 Series Blower

No.	Product Model	Voltage	Max Static Pressure	Max Airflow		Operating Point			Power		With Hall Sensor
						Static Pressure	Airflow		Max	Rated	
		V	kPa	LPM	m ³ /h	kPa	LPM	m ³ /h	W	W	Y/N
1	S8501-12V-1	12	17	910	54.6	12	450	27	200	200	N

Dimensions : 105.9×93.8×98.3 mm



Performance Curves



Product Name

S145 BLDC Through-Flow Blower

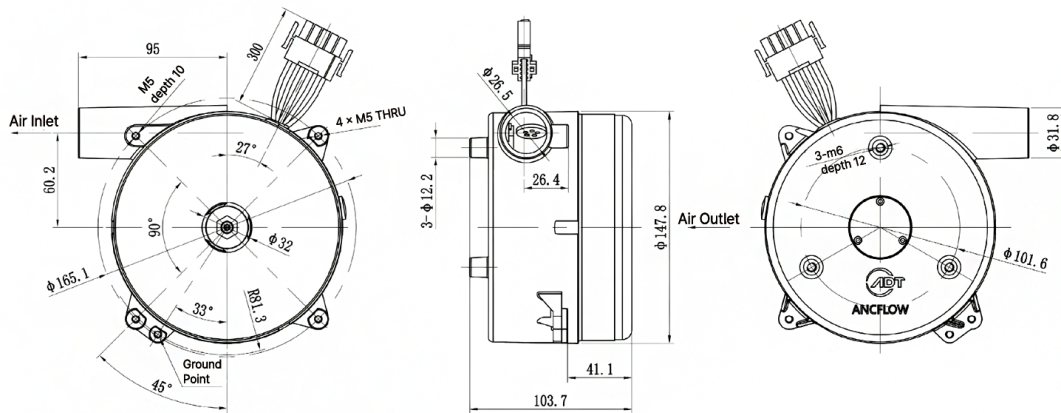
- High performance with high static pressure and airflow
- Low noise and low vibration design
- High efficiency and energy saving with an eco-friendly and compact design
- High safety and long service life with speed controllability.
- Operating conditions: -20°C to 50°C,
Free from acidic, alkaline, and corrosive gases or liquids.



S145 Series Blower

No.	Product Model	Voltage	Frequency	Max Static Pressure	Max Airflow		Rated Power	Max Airflow Speed	Speed Control	Weight
		V	Hz	kPa	LPM	m ³ /h	W	rpm	VDC	kg
1	S14504-120V-1	120	60	13.2	1663	99.8	438	12800	0-10	1.9
2	S14502-220V-1	220	50/60	12.9	1850	111	510	14100	0-10	1.9

Dimensions : 147.8×165.1×103.7 mm



Performance Curves



• CE Certificate



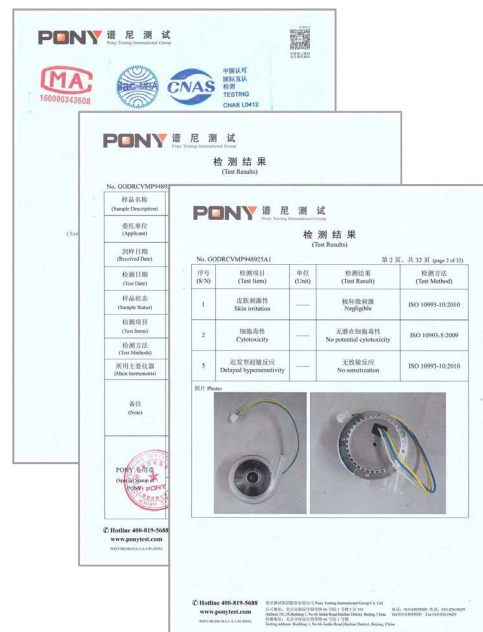
• ISO 9001 Quality Certificate



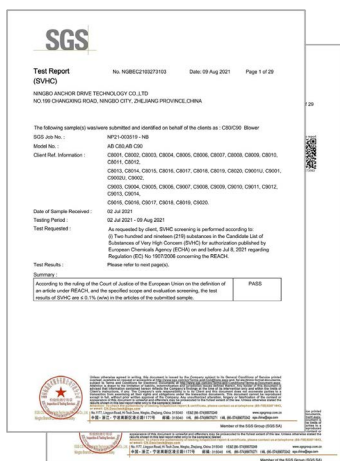
• RoHS Certificate



• ISO 10993 Test Report



• REACH Certificate





ENG Web



Partners Web



YouTube



HEADQUARTERS

Jiangsu DINGS' Intelligent Control Technology Co., Ltd.

No. 2850 Luheng Road, Changzhou Economic Development Zone, Jiangsu Province, China

Tel : +86-519-85177826

E-mail : info@dingsmotion.com

www.dingsmotion.com

GLOBAL MANUFACTURING LOCATION

DINGS' Intelligent Control Technology (Thailand) Co., Ltd.

42/29 Moo 4, Uthai Subdistrict, Uthai District, Phra Nakhon Si Ayutthaya 13210, Thailand

Tel : +66 64-505-9951

SUBSIDIARIES

DINGS' Motion USA

355 Cochrane Circle Morgan Hill,
CA 95037

+1-408-612-4970

sales@dingsmotionusa.com

dingsmotionusa.com

DINGS' Motion Europe

4 Avenue du Grand Trémoutier
44120 Vertou, France

+33-(0)6-41-37-80-07

sebastien@dingsmotion.com

fr.dingsmotion.com

DINGS' Korea Co., Ltd.

C-702, 158 Haneulmaeul-ro, Ilsandong-gu,
Goyang-si, Republic of Korea

+82-31-994-0755

daniel@dingsmotion.com

dingsmotion.kr / dkps.co.kr / en.dkps.co.kr

INTERNATIONAL OFFICES

DINGS' Shenzhen Office

Room 1105, Block C, CIMC Industry Park,
Guangming District, Shenzhen, China

info@dingsmotion.com

DINGS' JAPAN

101, 2-27-18, Nishi-kojiya, Ota-ku, Tokyo
144-0034 JAPAN

+81-90-7730-0034

tsukahara@dingsmotion.com

jp.dingsmotion.com

Catalog Issued: June 2026

© DINGS'. All rights reserved

No part of this catalog may be reproduced or distributed without prior written consent from DINGS'.
Specifications, features, and designs are subject to change without prior notice for product improvement.

DINGS' reserves the right of final interpretation of this catalog and its products.