

VER 1.5

Technical Manual

DS-CLS9-FRS4



Table of Contents

- 1. Main Specification.....3
- 2. Connector Specification Table.....4
 - 2.1 CN1 (Power & Motor).....4
 - 2.2 CN2 (Encoder IN).....4
 - 2.3 CN3 (I/O)4
 - 2.4 CN4 (IN) / CN5 (OUT) (RS485)5
- 3. Input Circuit Diagram.....5
 - 3.1 Command Pulse Input Circuit (Differential Drive)5
 - 3.2 Command Pulse Input Circuit (Open Collector)5
 - 3.3 Sensor, Digital Input Circuit (Contact)6
 - 3.4 Sensor, Digital Input Circuit (Collector Output)6
- 4. Output Circuit Diagram.....6
 - 4.1 Digital Output Circuit (Relay Connection)6
 - 4.2 Digital Output Circuit (Opto-Coupler Connection)7
 - 4.3 Differential Output Circuit (Encoder Output)7
- 5. Pulse & Direction Input Sequence Diagram.....8
- 6. Indicator Light.....8
 - 6.1 Status Display.....8
 - 6.2 Alarm Display.....9
- 7. Dimension (mm)10
- 8. Control Parameter.....11
 - 8.1 Controller Basic Status (Class 01).....11
 - 8.2 Basic Parameter Setting (Class 02).....12
 - 8.3 Closed-Loop Parameter Setting (Class 04)13
 - 8.4 Control Parameters (Class 05)13
 - 8.5 Input Block Designation (Class 06)15
 - 8.6 Output Block Specification (Class 07)16
- 9. In the GUI Program.....17
- 10. Brake Using Method.....20

*Please note that when the closed-loop drive is connected with the motor, it is necessary to correctly connect the phase sequence of the motor and the encoder. Otherwise it will cause an alarm or the motor can not run. Before connecting with the motor, please carefully confirm whether the motor model is consistent with the model of the drive nameplate. Please be sure to do the following work before turning on the power.

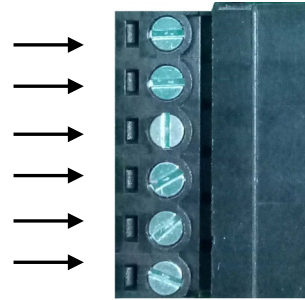
1. Main Specification

Project	Content	Remarks
Model	DS-CLS9-FRS4	
power supply	DC 24V~48V ±10%	
Rated output current	DS-CLS9-FRS4 3.0A (0 -peak)	Continuous current
Maximum output current	DS-CLS9-FRS4 4.5A (0 -peak)	Instantaneous current
Control object motor	Encoder 2-phase bipolar stepper motor	
Drive mode	PWM constant current drive	
I/O	Input <ul style="list-style-type: none"> • Pulse, direction input (configurable as digital input) • Digital input 5 • Encoder input (A, B, Z) Output <ul style="list-style-type: none"> • 4 digital outputs • Coded signal output (differential A, B, Z) 	The rest of the input/output can be freely configured via communication, except that the encoder output is fixed.
Digital input details	/SV ON (Servo On) /RESET (alarm reset) /START (motor start/stop) /JOG (motor jog) /HOME (zero point)	
Digital output details	/IN POSITION /ALARM	
LED indication	Status, fault	
communication I/F	RS485, up to 32 nodes	MODBUS RTU protocol, baud rate: 19200bps (default) or according to the agreement
Control Method	Position control mode	According to pulse positioning, according to RS485 communication positioning
Dimensions (mm)	134 (L) ×77 (W) ×34 (H)	Without terminal block
weight	About 500g	Without terminal block
Operating temperature/humidity	0~45°C, 85%RH or less	Prevent condensation
Storage temperature	0~85°C, 85% or less	Prevent condensation
Ambient gas	Prevent corrosive gases	

2. Connector Specification Table

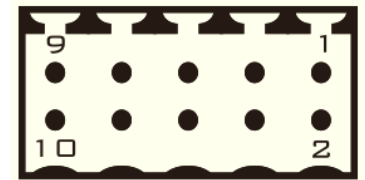
2.1 CN1 (Power & Motor)

Pin.	Signal name
6	A+
5	A-
4	B+
3	B-
2	GND
1	V+ (DC24V or 48V)



2.2 CN2 (Encoder IN)

Pin.	Signal name	Pin.	Signal name
1	A+	2	A-
3	B+	4	B-
5	Z+	6	Z-
7	+5V	8	0V
9	FG	10	NC

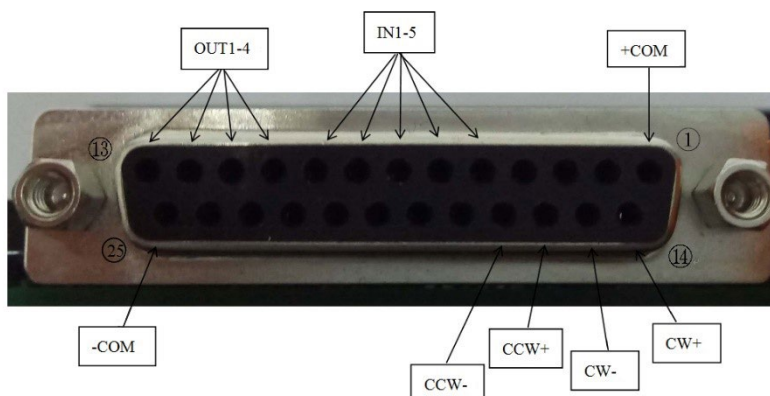


2.3 CN3 (I/O)

i **Notes** 18-23 feet are encoder output {differential output}, optional, please specify when ordering

Pin.	Signal name	Pin.	Signal name	Pin.	Signal name	Pin.	Signal name
1	+COM(24V)	7	IN3	14	CW+	20	Encoder B+
2	NC	8	IN4	15	CW-	21	Encoder B-
3	NC	9	IN5	16	CCW+	22	Encoder Z+
4	NC	10	OUT1	17	CCW-	23	Encoder Z-
5	IN1	11	OUT2	18	Encoder A+	24	FG
6	IN2	12	OUT3	19	Encoder A-	25	-COM (0V)
		13	OUT4				

See the position of each pin from the perspective of the insertion surface



2.4 CN4 (IN) / CN5 (OUT) (RS485)

Pin.	Signal name	Pin.	Signal name
1	NC	2	GND
3	A Input (RS485)	4	NC
5	NC	6	B Input (RS485)
7	Terminating resistor (CN5)	8	Terminating resistor (CN5)

Standard : RJ45 Type × 2

See the position of each pin in a face-to-face view

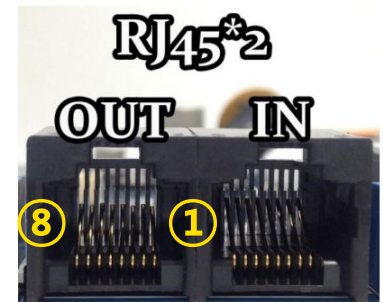
i

Notes

When using multiple serial connections, the terminal resistance is the short-circuit when the last CN5 pins 3 and 8 are short-circuited, and the 6-pin and 7-pin are short-circuited.

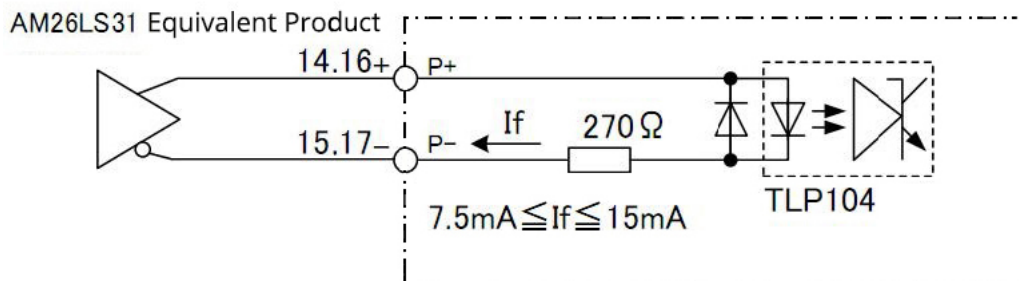
Remark :

CN4 does not contain terminating resistor

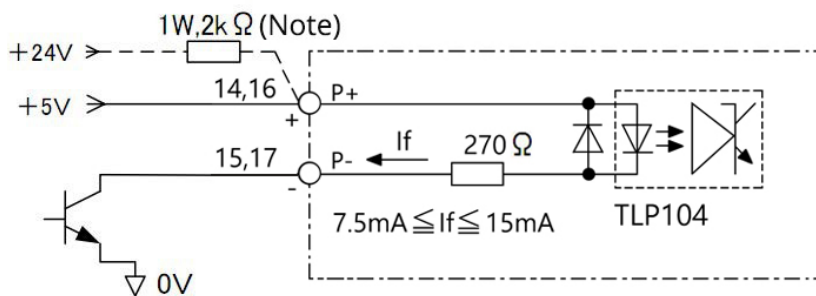


3. Input Circuit Diagram

3.1 Command Pulse Input Circuit (Differential Drive)



3.2 Command Pulse Input Circuit (Open Collector)

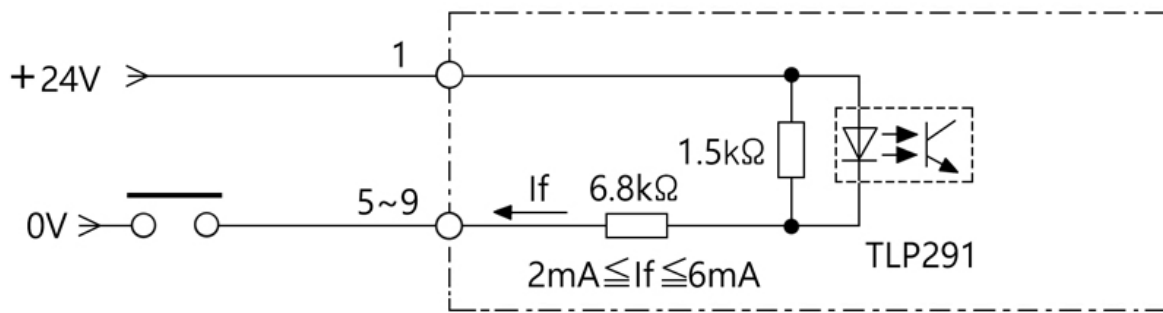


i

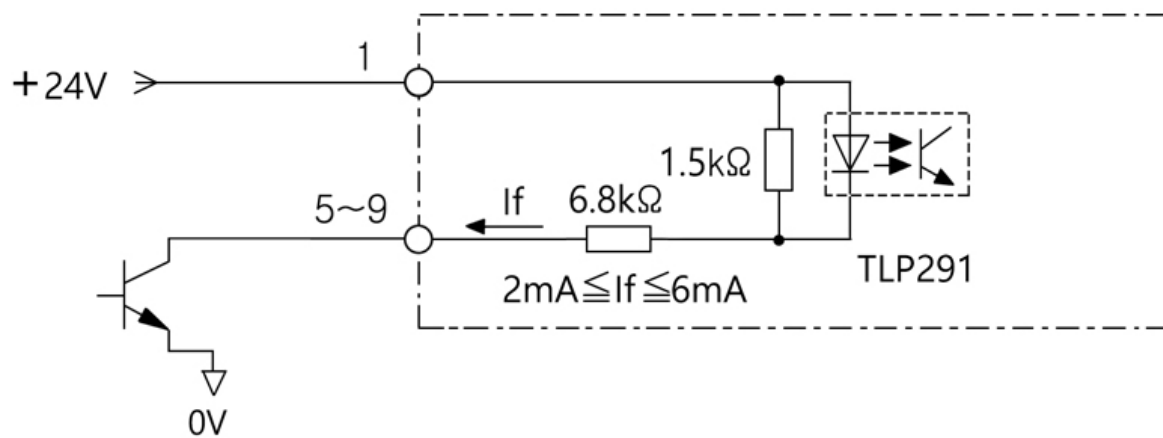
Notes

This product is compatible with +5V/+24V Signal and it does not need current limit resistor when 5V power input.

3.3 Sensor, Digital Input Circuit (Contact)

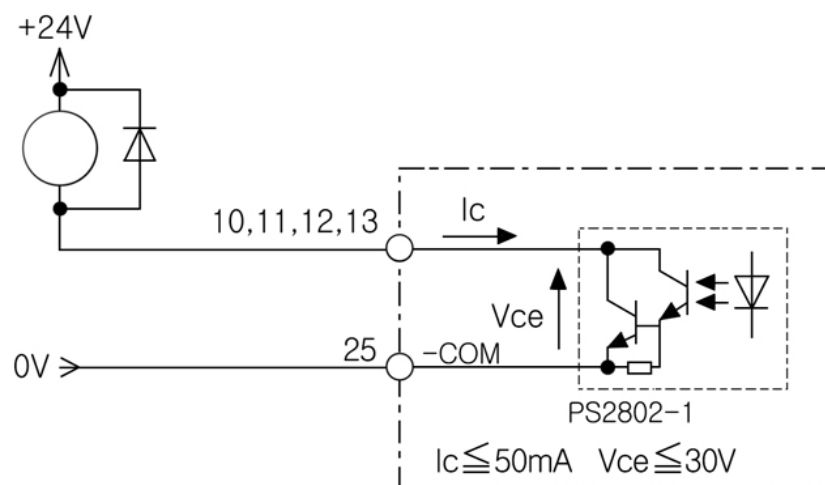


3.4 Sensor, Digital Input Circuit (Collector Output)



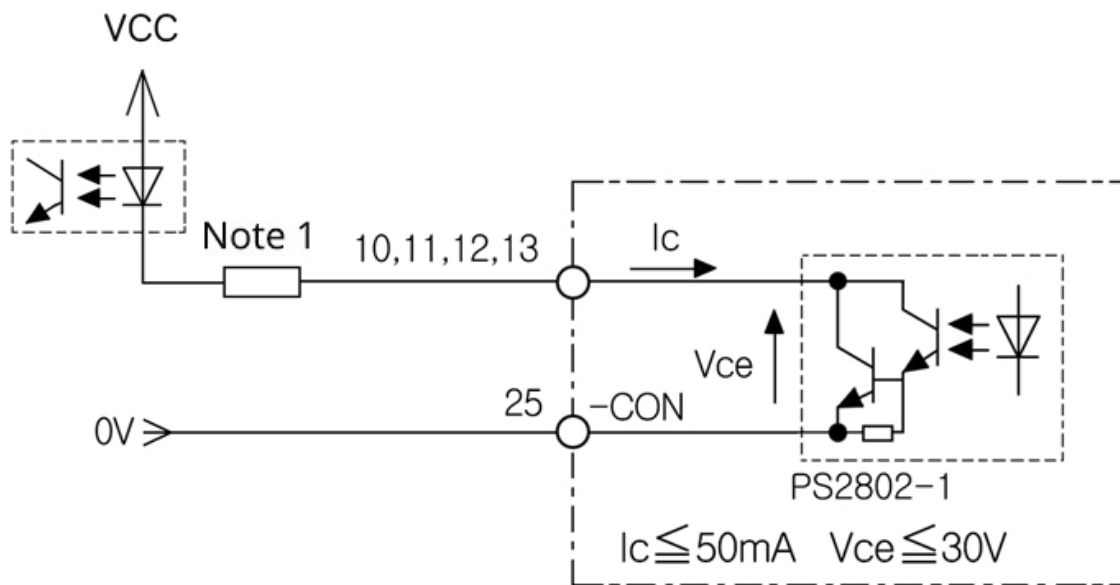
4. Output Circuit Diagram

4.1 Digital Output Circuit (Relay Connection)

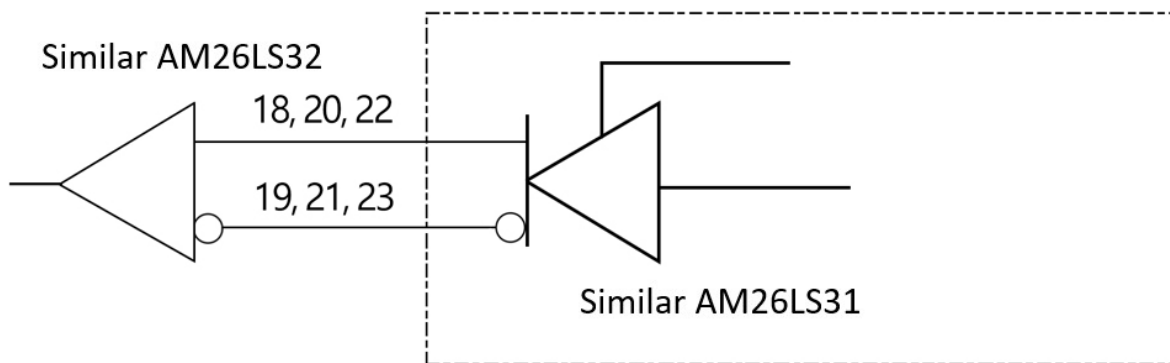


Notes When connects relay, diodes at both ends of relay (similar to IN4007) are required.

4.2 Digital Output Circuit (Opto-Coupler Connection)



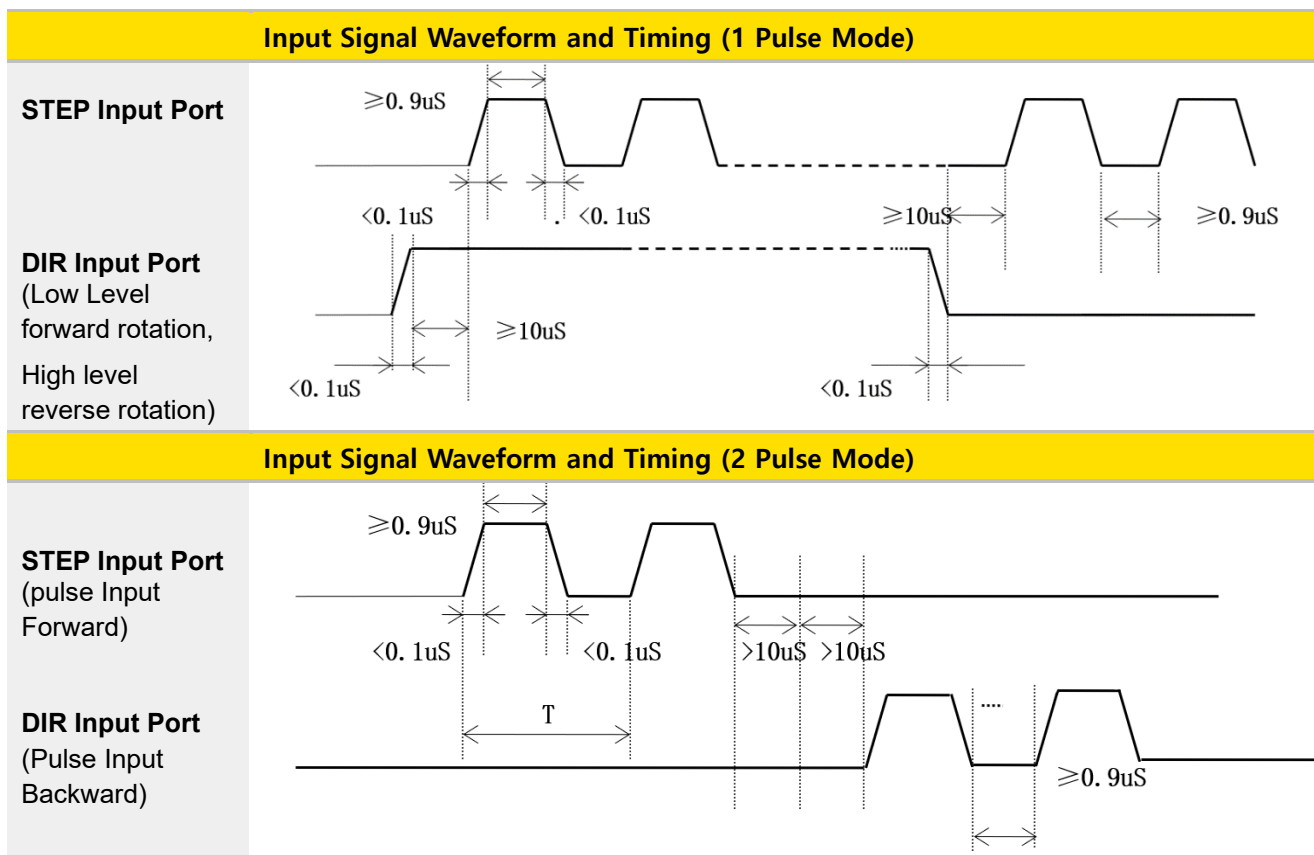
4.3 Differential Output Circuit (Encoder Output)



Caution

There is no opto-coupler isolation for encoder output. Before power on, please confirm whether the wiring is correct and there is short circuit. So as to avoid any damaging the upper computer and driver by introducing the 24V power supply on the CN3 port.

5. Pulse & Direction Input Sequence Diagram



Notes

When the driver is set to one-pulse control, CW is the STEP pulse input port and CCW is the DIR (direction) input port.

6. Indicator Light

6.1 Status Display

This product has 1 red and 1 green LED patch indicator to show status. (The actual LED indicator model and status display is based on the driver)

Mode: complete the number of blinks (0.5 sec low, 0.5 sec high) corresponding to different states, complete 2 sec high, then cycle again.



Status Functions	Indicator Status	Status Code	Clarification
Motor Free	Green light flashing	1	Disable, drive goes offline, motor rotor can run freely
Holding	Green light flashing	2	Enable, no pulse input, motor phase lock but motor not running
Running	Green light always on	3	Pulse input available, motor in operation

6.2 Alarm Display

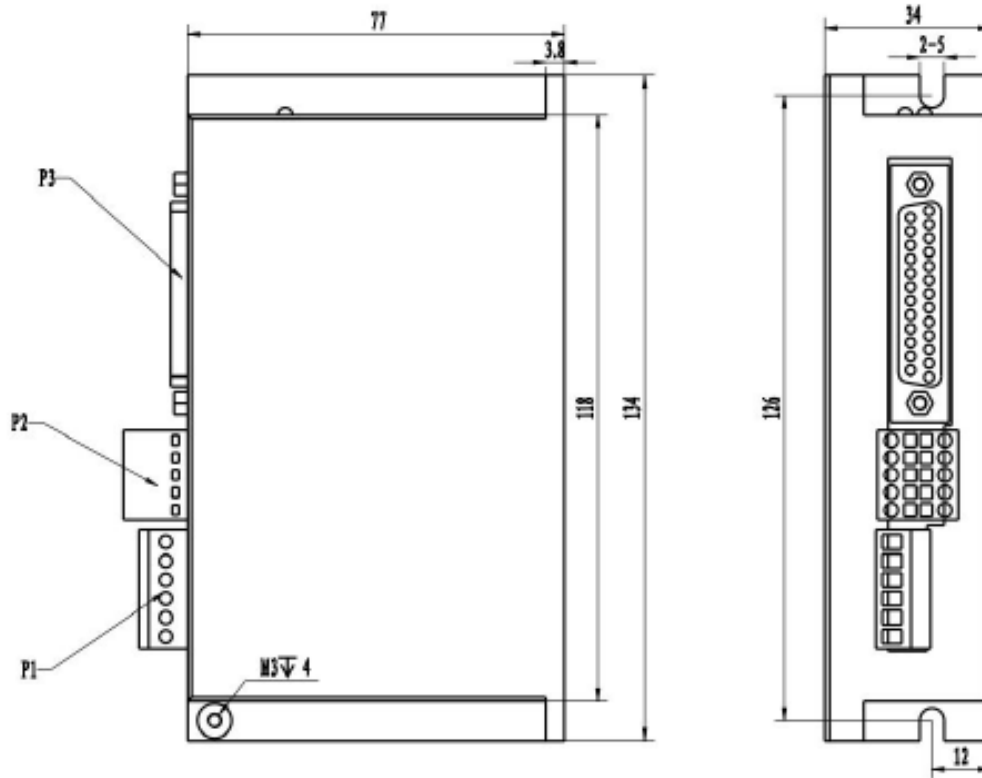
This product has 1 red and 1 green LED patch indicator to show status. (Actual indicator type and status are based on driver LED settings)

Mode: complete the number of blinks (0.5 sec low, 0.5 sec high) corresponding to different states, complete 2 sec high, then cycle again.

Alarm type	Alarm function	Indicator Status	Status Code	Clarification
Alarm	Motor overcurrent	1 green + 1 red	10	H/W motor phase overcurrent
	Motor out of phase	1 green + 2 red	11	Motor is not connected.
	Over current	1 green + 1 red	12	S/W overcurrent
	Under voltage	1 green + 4 red	13	Power input less than 18V (actual is based on driver specifications)
	Over voltage	1 green + 3 red	14	Power input greater than 60V (actual is based on drive specifications)
	Over Temperature	1 green + 5 red	15	Drive overheating
	Drive failure	1 green + 5 red	16	1. MOS tube driver voltage failure 2. External power supply instability
	EEPROM error	1 green + 5 red	20	EEPROM data write abnormality
	Speed error	1 green + 5 red	24	Motor running speed exceeds system maximum
	Following Error	1 green + 5 red	25	Position deviation greater than set value
	Over load	1 green + 5 red	26	Motor overload
	Communication error	1 green + 5 red	50b	Communication bus abnormality. The communication line is disconnected or the communication quality is unstable in the state of device enable.
	Communication bus error	1 green + 5 red	100	Motor in enable state, bus cut out of OP mode
	Warning	EEPROM data reading	Red light always on	256
Unstable bus voltage		Red light always on	512	Unstable bus voltage
Emergency stop		Red light always on	1024	emergency stop
Positive limit		Red light always on	2048	On positive limits or over positive soft limits
Negative limit		Red light always on	4096	On negative limits or over negative soft limits
Origin failed		Red light always on	8192	Failed to return to origin

	Notes	The lower 8 bits are alarm codes, only one at the same moment, the higher 8 bits are warnings, warnings can be more than one at the same time
	Example	Positive and negative limits (2048) and negative limits (4096) are triggered at the same time, warning code is displayed: 2048+4096=6144

7. Dimensions



8. Control Parameter



Notes

Informal version of communication parameters, some parameters are fixed and not open.

8.1 Controller Basic Status (Class 01)

Adr	word	content	Elaborate	Range / unit			
0100	1	Motor current	Motor real-time current value	0.1%A			
0101	1	Input voltage	Current input voltage	1%V			
0104	2	Set up segmentation	Set segmentation value	ppr			
0106	1	Pulse mode	1 is pulse + direction mode, 2 is double pulse mode	1-2			
0108	1	error code	Code at the time of alarm, see 6-2 for content, and display "0" for no fault	-			
0109	1	Operating status	Drive running status, see 6-1	-			
0110	1	hardware version	Drive hardware version	-			
0111	1	Software version	Drive software version	-			
0117	2	current position	target location	pulse			
0119	1	Actual speed display	-	0.01rps			
0126	2	Actual location	Run real-time location	pulse			
0174	1	IO select multiple run paragraphs	-	-			
0176	1	Multi-segment writing error No	-	-			
0178	1	Multi-stage operation	-	-			
0135	1	Input port status	Data bits	Bit 7	Bit 1	Bit 0
			Input port	IN 7	IN 2	IN 1
0136	1	Output port status	Data bits	Bit 3	Bit 2	Bit 0
			Output port	Out 4	Out 3	Out 2	Out 1

8.2 Basic Parameter Setting (Class 02)

Adr	word	content	Elaborate	Range / unit
0201	1	Motor direction switching	Select the motor running direction	0~1
0206	1	User instructions	Set when the motor is stopped 1: user parameter reset 2: Clear the alarm (except for some hardware failure alarms) 3: drive restart	0~5
0213	1	Half-flow ratio	Stop current ratio (effective in open loop mode)	10%~120%
0217	1	Motor control mode	0: open loop 1: closed loop Default: 1 *After changing the parameters, the power must have to turn off and on.	0~1
0224	1	Angular filtering	The smaller the value, the smoother the motor runs, but the higher the delay	1~700
0234	1	Digital filtering	Filter coefficient of input pulse. The larger the value, the lower the input frequency response.	1~15
0241	1	Input Current	Set current	100~4500 0.1A~4.5A
0242	2	Set up segmentation	Pulses per revolution	200~102400 ppr
0244	1	Pulse mode	1: Pulse + direction mode 2: double pulse mode	1~2
0245	1	Half-flow time	Delay time when the motor stops running and enters half flow state (open loop mode is valid)	1~32767ms
0283	1	Percentage of positive torque set value	In torque mode Torque = Input Current (0241) * Percentage (0283) Forward operation to set torque output Default value: 50	0~120%
0284	1	Percentage of reverse torque set value	In torque mode Torque = Input Current (0241) * Percentage (0284) When running in reverse, to set the torque output Default value: 50	0~120%
0285	1	Percentage of return to torque origin set value	In torque mode Torque = Input Current (0241) * Percentage (0285) When the torque force returns to the origin, the torque output is set Default value: 80	10~120%
0286	1	Moment detection time	In torque mode Torque reaches detection time Default value: 10	1~10000ms
0287	1	Torque mode running speed	In torque mode Run forward at set speed and torsion comes to a stop 0: external pulse 1: internal pulse	-5000~5000 0.01~20rps
0296	1	Selection of operating mode	5: Torque mode 6: Position down mode Default: 0 Note: After the function is modified, you need to power off and restart	0~1
0298	1	mailing address	Default: 1	1~255
0299	2	Communication baud rate	Default: 19200	1600~115200

8.3 Closed-Loop Parameter Setting (Class 04)

Adr	word	content	Elaborate	Range / unit
0246	1	Encoder resolution	Resolution = number of encoder lines x 4	200~65535
0247	2	In-place pulse width	Reach the target position and close the distance, output the signal in place Default: 0	1~1000 Encoder resolution
0251	1	Speed loop Kp	Speed loop Kp	0~30000
0252	1	Speed loop Ki	Speed loop Ki	0~30000
0255	1	Position loop Kp	Position loop Kp	0~30000
0258	1	Position tolerance threshold	In encoder resolution	0~30000

8.4 Control Parameters (Class 05)

Adr	word	content	Elaborate	Range / unit
0301	1	Starting frequency	Default:100	1~2000 0.01~20 rps
0302	1	Stop frequency	Default:100	1~2000 0.01~20 rps
0303	1	Acceleration	Default:100	5~10000 rps ²
0304	1	deceleration	Default:100	5~10000 rps ²
0305	1	Return to origin mode	Return to origin mode, 0: clockwise return to origin 1: counterclockwise to the origin 2: Positive limit back to the origin 3: inverse limit back to the origin 6: Forward torque back to the origin 7: reverse torque back to the origin 8: Clockwise Z pulse returns to the origin 9: Counterclockwise Z pulse back to the origin Default value: 0	0~1
0306	1	Fixed-length running speed	Default: 1000	1~5000 0.01~50rps
0307	1	Speed mode running speed	In speed mode, the running direction is consistent with the speed direction Default: 1000	-5000~5000 -50~50rps
0308	1	Jog running speed	Default: 1000	1~5000 0.01~50rps
0309	1	Home speed	Default: 1000	1~5000 0.01~50rps
0310	1	Creeping speed	Running speed after hitting the origin Default: 1000	1~5000 0.01~50rps
0311	2	Home offset	Default: 0	-2000000000~ 2000000000 pulse

0313	2	Output pulse	Running stroke Absolute position mode: run to the specified position Relative position mode: travel setting offset stroke Default: 0	-2000000000~ 2000000000 pulse												
0317	2	Positive soft limit	Default: 2000000000 Note: It is invalid during return to origin	-2000000000~ 2000000000 pulse												
0319	2	Negative soft limit	Default: -2000000000 Note: It is invalid during return to origin	-2000000000~ 2000000000 pulse												
0321	2	Set current position	Default: 0	-2000000000~ 2000000000 pulse												
0323	1	control commands	0: empty 1: Absolute running, running to the set distance, running direction is determined by distance plus or minus, speed plus or minus value is invalid, it is effective to modify target position during running 2: Relative running, running at a set distance and running speed. The running direction is determined by the distance plus or minus. The speed plus or minus value is invalid. Modifying the movement distance during running is invalid 3: Speed mode 4: Jog forward 5: Reverse jog 6: deceleration and stop 7: Emergency stop 8: Set the current position, which can only be set when the motor is stopped 12: Back to origin 13: Alarm clear 14: Multi-segment data verification 15: Multi-segment data storage 16: Multi-segment data starts 17: Multiple data pauses 18: End of multiple segments of data Default: 0	0~29												
0324	1	Internal control switch	<table border="1"> <thead> <tr> <th>Bit 4</th> <th>Bit 3</th> <th></th> </tr> </thead> <tbody> <tr> <td>0</td> <td>0</td> <td>Communication command mode</td> </tr> <tr> <td>0</td> <td>1</td> <td>Input signal command mode</td> </tr> <tr> <td>1</td> <td>0</td> <td>Multi-segment program command mode (by input signal or communication)</td> </tr> </tbody> </table> <p>Default: Bit 4 =0 , Bit 3=0 communication command mode *After changing the parameters, the power must have to turn off and on.</p>	Bit 4	Bit 3		0	0	Communication command mode	0	1	Input signal command mode	1	0	Multi-segment program command mode (by input signal or communication)	0-65535
Bit 4	Bit 3															
0	0	Communication command mode														
0	1	Input signal command mode														
1	0	Multi-segment program command mode (by input signal or communication)														
0327	1	Number of paragraphs	Default: 1	1~32												
0328	1	Multiple selection	Default: 0 Note: If IO port is configured with multi-segment selection function, IO configuration multi-segment selection is preferred	0~31												

8.5 Input Block Designation (Class 06)

Adr	word	content	Elaborate	Range/unit
0400	1	IN1 function selection	0: empty 1: Absolute running, running to the set distance, running direction is determined by distance plus or minus, speed plus or minus value is invalid, it is effective to modify target position during running 2: Relative running, running at a set distance and running speed. The running direction is determined by the distance plus or minus. The speed plus or minus value is invalid. Modifying the movement distance during running is invalid 3: Speed mode 4: Jog forward 5: Reverse jog 6: deceleration and stop 7: Emergency stop 8: Set the current position, which can only be set when the motor is stopped 9: positive limit 10: Negative limit 11: Origin signal 12: Back to origin 13: Alarm clear 14: Multi-segment data verification 15: Multi-segment data storage 16: Multi-segment data starts 17: Multiple data pauses 18: End of multiple segments of data 20: Enable 25: IO port configuration multi-stage selection Bit0 26: IO port configuration multi-stage selection Bit1 27: IO port configuration multi-stage selection Bit2 28: IO port configuration multi-stage selection Bit3 29: IO port configuration multi-stage selection Bit4 Default: 0	0~30
0401	1	IN2 function selection	The setting content is the same as IN1 (default value: 0)	0~30
0402	1	IN3 function selection	The setting content is the same as IN1 (default value: 0)	0~30
0403	1	IN4 function selection	The setting content is the same as IN1 (default value: 0)	0~30
0404	1	IN5 function selection	The setting content is the same as IN1 (default value: 0)	0~30
0405	1	IN6 Function selection (CCW port)	The setting content is the same as IN1 (default value: 0) (When external pulse, the port function is invalid)	0~30
0406	1	IN7 Function selection (CW port)	The setting content is the same as IN1 (default value: 0) (When external pulse, the port function is invalid)	0~30
0429	1	Universal digital input logic		
0410	1	Pseudo communication setting IN1	0: OFF (initial value 0) 1: ON (trigger the action of IN1 configuration)	0~1

0411	1	Pseudo communication settingIN2	0: OFF (initial value 0) 1: ON (trigger the action of IN2 configuration)	0~1
0412	1	Pseudo communication settingIN3	0: OFF (initial value 0) 1: ON (trigger the action of IN3 configuration)	0~1
0413	1	Pseudo communication settingIN4	0: OFF (initial value 0) 1: ON (trigger the action of IN4 configuration)	0~1
0414	1	Pseudo communication settingIN5	0: OFF (initial value 0) 1: ON (trigger the action of IN5 configuration)	0~1
0415	1	Pseudo communication settingIN6	0: OFF (initial value 0) 1: ON (triggers the action configured by IN6) (During external pulse, the function of the pseudo communication port is disabled)	0~1
0416	1	Pseudo communication settingIN7	0: OFF (initial value 0) 1: ON (trigger the action of IN7 configuration) (During external pulse, the function of the pseudo communication port is disabled)	0~1

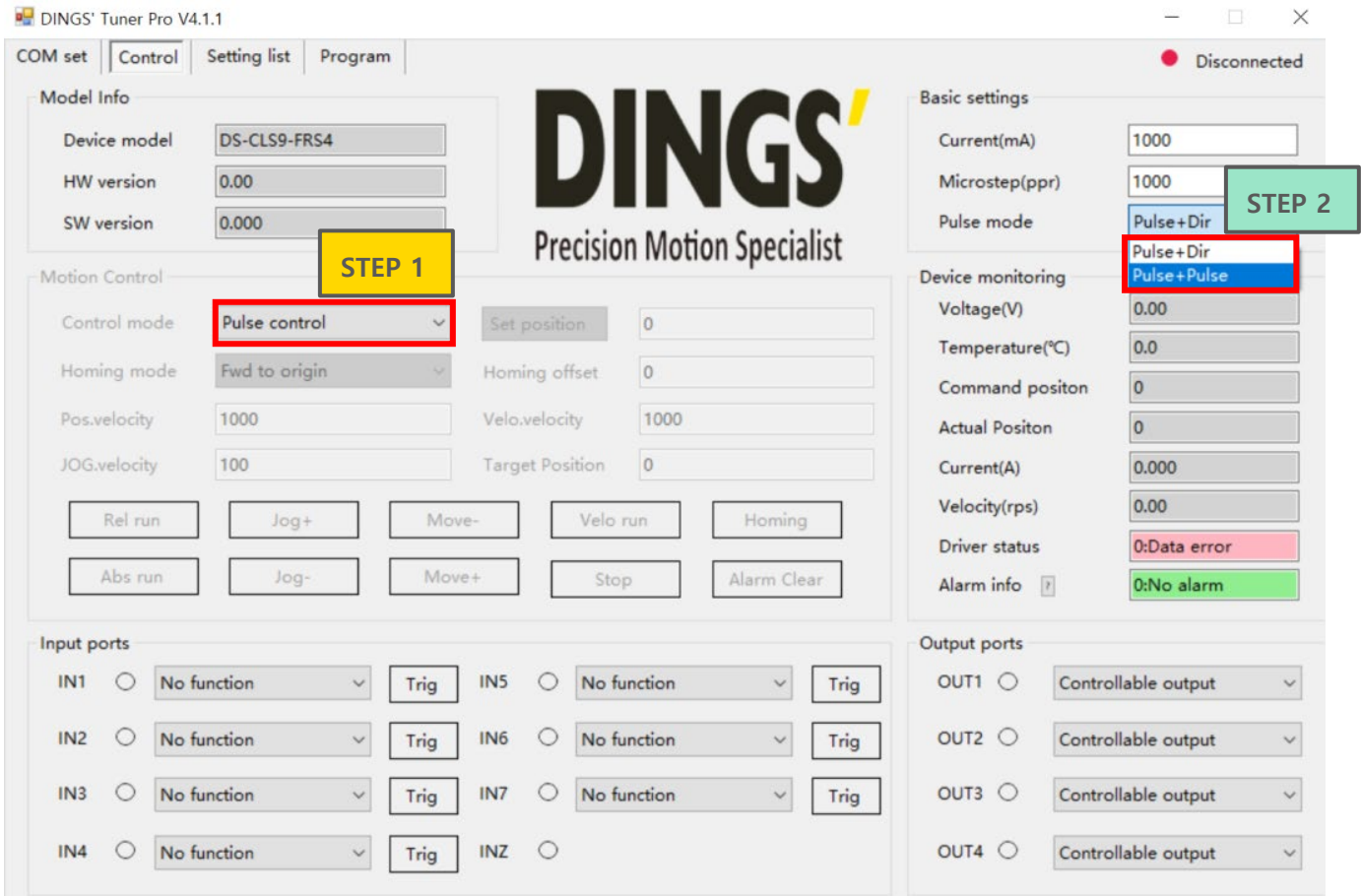
8.6 Output Block Specification (Class 07)

Adr	word	content	Elaborate	Range / unit										
0420	1	OUT1 function selection	100: universal port 101: Alarm output function: There is an output signal when there is no alarm, and there is no output signal when there is an alarm. 102: In place signal 103: Enable control output: There is an output signal when offline, and no output signal when enabled. (Default: 101)	100~104										
0421	1	OUT2 function selection	The setting content is the same as OUT 1 (default: 100)	100~104										
0422	1	OUT3 function selection	The setting content is the same as OUT 1 (default: 100)	100~104										
0423	1	OUT4 function selection	The setting content is the same as OUT 1 (default: 100)	100~104										
0428	1	Universal digital output control	Output port function selection <table border="1"> <tr> <td>Data bit</td> <td>Bit3</td> <td>Bit2</td> <td>Bit1</td> <td>Bit0</td> </tr> <tr> <td>Output port</td> <td>OUT4</td> <td>OUT3</td> <td>OUT2</td> <td>OUT1</td> </tr> </table>	Data bit	Bit3	Bit2	Bit1	Bit0	Output port	OUT4	OUT3	OUT2	OUT1	
Data bit	Bit3	Bit2	Bit1	Bit0										
Output port	OUT4	OUT3	OUT2	OUT1										
0430	1	Digital output logic	Corresponding output port logic <table border="1"> <tr> <td>Data bit</td> <td>Bit3</td> <td>Bit2</td> <td>Bit1</td> <td>Bit0</td> </tr> <tr> <td>Output port</td> <td>OUT4</td> <td>OUT3</td> <td>OUT2</td> <td>OUT1</td> </tr> </table>	Data bit	Bit3	Bit2	Bit1	Bit0	Output port	OUT4	OUT3	OUT2	OUT1	
Data bit	Bit3	Bit2	Bit1	Bit0										
Output port	OUT4	OUT3	OUT2	OUT1										

9. In the GUI Program

9.1 Pulse Mode Setting

9.1.1 Pulse mode setting in the [Control] tab



***In the [Control] tab, automatically saves parameters, if you make changes.**

STEP 1	Set pulse control mode
STEP 2	Set pulse mode type *1 pulse mode : pulse + DIR *2 pulse mode : CW pulse + CCW pulse

9.1.2 Pulse mode setting in the [Parameter List] tab

DINGS' Tuner Pro V4.1.1 STEP 1

COM set | Control | **Setting list** | Program

Category:

- 01: Basic settings
- 02: Motor settings
- 03: Closed-loop settings
- 04: Motion settings
- 05: Input settings
- 06: Output settings

Read
Write
Reset
Export Import

Addr	Name	Range	Actual Value	New Value
201	Direction switch	0 ~ 3	0	0
202	Pulse edge	0 ~ 1	0	0
213	Half current proportion	10 ~ 100	50	50
224	Smooth filter	0 ~ 700	50	50
234	Pulse filter	1 ~ 15	4	4
241	Current setting	100 ~ 4500	1000	1000
242	Microstep setting	200 ~ 102400	1000	1000
244	Pulse mode	1 ~ 2	1	1
245	Half current time	1 ~ 30000	200	200
296	Control mode	0 ~ 1	0	0
298	Station number	1 ~ 250	1	1
299	Baud rate	4800 ~ 115200	19200	19200

Description:

Control mode:
0:Pulse control;
1:Integrate control;

STEP 1

Add#296 Control mode

0 : Pulse control mode

DINGS' Tuner Pro V4.1.1

COM set | Control | **Setting list** | Program

STEP 2

Category:
 01: Basic settings
 02: Motor settings
 03: Closed-loop settings
 04: Motion settings
 05: Input settings
 06: Output settings

Addr	Name	Range	Actual Value	New Value
201	Direction switch	0 ~ 3	0	0
202	Pulse edge	0 ~ 1	0	0
213	Half current proportion	10 ~ 100	50	50
224	Smooth filter	0 ~ 700	50	50
234	Pulse filter	1 ~ 15	4	4
241	Current setting	100 ~ 4500	1000	1000
242	Microstep setting	200 ~ 102400	1000	1000
244	Pulse mode	1 ~ 2	1	1
245	Half current time	1 ~ 30000	200	200
296	Control mode	0 ~ 1	0	0
298	Station number	1 ~ 250	1	1
299	Baud rate	4800 ~ 115200	19200	19200

Read
Write
Reset
Export Import

Description:
 Pulse mode,pulse mode only:
 1:Pulse + Dir;
 2:Pulse + Pulse.

STEP 2

Add#244 Pulse mode
 1 : 1 Pulse mode [Pulse + Dir]
 2 : 2 Pulse mode [CW Pulse + CCW Pulse]

DINGS' Tuner Pro V4.1.1

COM set | Control | **Setting list** | Program

STEP 3

Category:
 01: Basic settings
 02: Motor settings
 03: Closed-loop settings
 04: Motion settings
 05: Input settings
 06: Output settings

Addr	Name	Range	Actual Value	New Value
201	Direction switch	0 ~ 3	0	0
202	Pulse edge	0 ~ 1	0	0
213	Half current proportion	10 ~ 100	50	50
224	Smooth filter	0 ~ 700	50	50
234	Pulse filter	1 ~ 15	4	4
241	Current setting	100 ~ 4500	1000	1000
242	Microstep setting	200 ~ 102400	1000	1000
244	Pulse mode	1 ~ 2	1	1
245	Half current time	1 ~ 30000	200	200
296	Control mode	0 ~ 1	0	0
298	Station number	1 ~ 250	1	1
299	Baud rate	4800 ~ 115200	19200	19200

Read
Write
Reset
Export Import

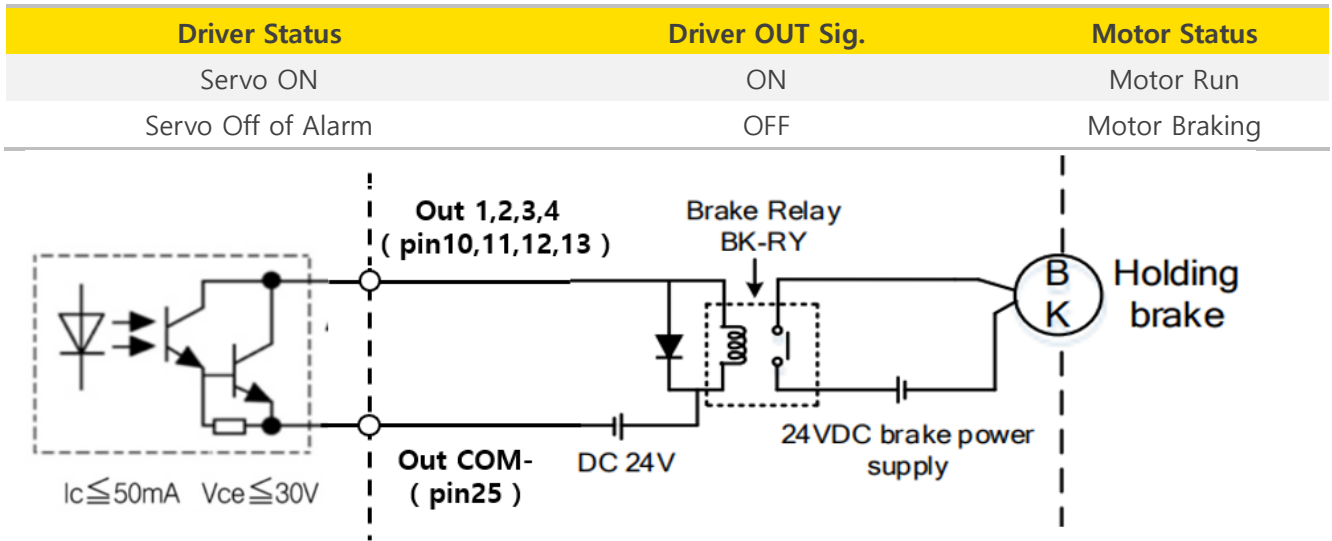
Description:
 Pulse mode,pulse mode only:
 1:Pulse + Dir;
 2:Pulse + Pulse.

STEP 3

Click [Write] button, Parameters saves

10. Brake Using Method

10.1 Brake Output Circuit Diagram



10.2 Output Port Parameter Setting

ComSet | Control | Parameter | Programming | Disconnected

Parameter category: **STEP 1**

Parameter	Parameter range	Act Value	Edit Value
420: OUT1 function	100~104	100	101
421: OUT2 function	100~104	100	103
422: OUT3 function	100~104	100	100
423: OUT4 function	100~104	100	100
428: Controllable output set	0~255	0	0
430: Output port logic	0~255	0	0

STEP 2

Parameter description:

- 100:Controllable output, controlled by addr-428;
- 101:Alarm out:No output when alarm occurs;
- 102:No position indication;
- 103:Servo-ON indication;**
- 104:Not Supported

STEP 1	<p>Select brake output port</p> <p>OUT1 -> pin10</p> <p>OUT2 -> pin11</p> <p>OUT3 -> pin 12</p> <p>OUT4 -> pin13</p> <p>Please choose one of OUT and assign pin accordingly</p>
STEP 2	<p>Set output function</p> <p>103 : Servo-ON</p>

ComSet | Control | **Parameter List** | Programming ● Disconnected

Parameter category:
 01: Basic para
 02: Motor para
 03: Close-loop para
 04: Controller para
 05: Input ports para
 06: Output ports para

Addr	Name	Parameter range	Act Value	Edit Value
420	OUT1 function	100~104	100	101
421	OUT2 function	100~104	100	103
422	OUT3 function	100~104	100	100
423	OUT4 function	100~104	100	100
428	Controllable output set	0~255	0	0
430	Output port logic	0~255	0	2

Read from Device
Write to Device
Reset parameter
Export Import


Parameter description:
 Output port logic.range:0~15 in decimal, mapping OUT[4:1]:0000~1111 in binary.


STEP 3


Set output port logic Bit

STEP 3

- Output port > Value
- Out1(Bit0) > 1
- Out2 (Bit1) > 2
- Out3 (Bit2) > 4
- Out4 (Bit3) > 8

 +86-0519-8517 7825

 +86-0519-8517 7807

 No. 2850 Luheng Road, Changzhou Economic
Development Zone, Jiangsu Province, China

 www.dingsmotion.com

International Customer

Person in Charge :

Daniel Jang

daniel@dingsmotion.com

No. 2850 Luheng Road, Changzhou
Economic Development Zone,
Jiangsu Province, China

+86-519-85177825, 85177826

North America Customer

Person in Charge :

Nicolas Ha

sales@dingsmotionusa.com

335 Cochrane Circle Morgan Hill,
CA 95037

+1-408-612-4970

China Customer

Person in Charge :

Sweet Shi

info@dingsmotion.com

No. 2850 Luheng Road, Changzhou
Economic Development Zone,
Jiangsu Province, China

+86-519-85177825, 85177826